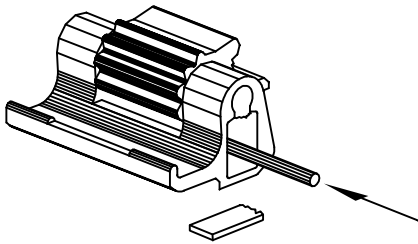
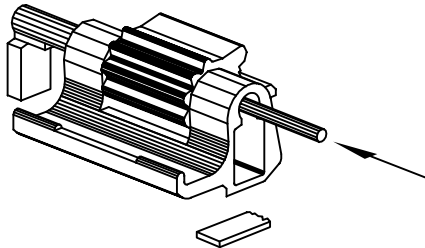


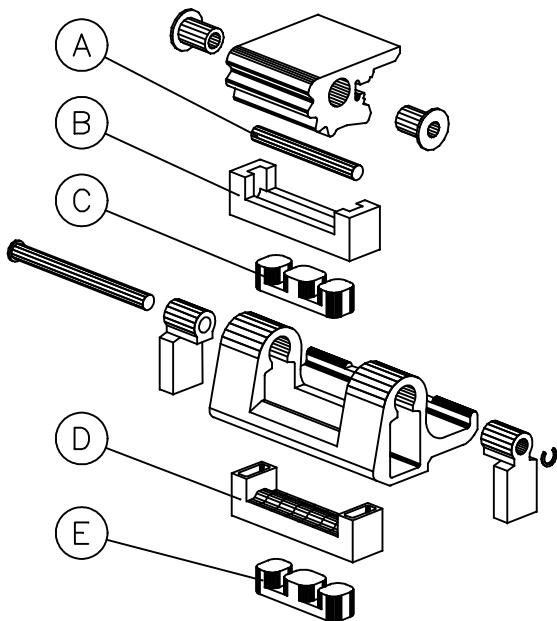
Rollstop Hinge replacement (Size 50,60,65,70)
 (Instructions for 7822 & 7823 hinge kits)



1. Open hatch fully to 180°
 Use a suitable drift and mallet to break off plastic tab.



2. Drive out hinge pin with drift and mallet. Repeat with other hinges, and remove hatch upper. Clean the hinges removing all the old components.



3. Note how the components are assembled, and that parts A,B,&C are replaced by two parts D&E. Assemble the buffer to the follower and put into the lower hinge. Push the two headed bushes into the upper hinge and the two sleeves into the ends of the lower hinge.

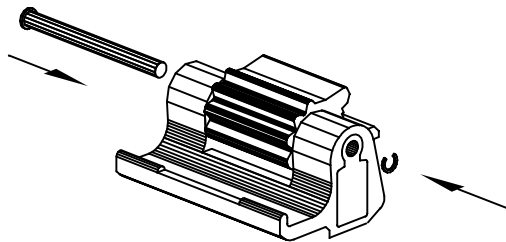
Discard parts A,B&C

NOTE USE:

Buffer painted green on bottom surface only with this kit

Vaseline should be applied to the follower and the cams on the upper hinge.

4. With the hatch upper in the fully open position, match the upper and lower hinges together. Insert the steel hinge pin through the hinge. Repeat with the other hinges.



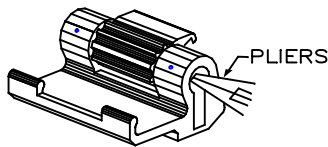
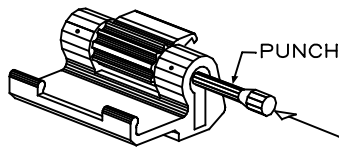
5. Push the small circlip onto the end of the steel hinge pin, ensuring it is properly located onto the groove of the pin. Two small screwdrivers are best for this. Repeat for the other hinges. Check the operation of the hatch.

Routine Maintenance

If excessive stiffness is experienced in opening or closing the hatch, the hinge must be cleaned and lubricated, otherwise damage to the hatch can occur. This maintenance will result in continued good performance from your hatch.

HINGE REPLACEMENT ROLLSTOP (SIZES 30 & 40)

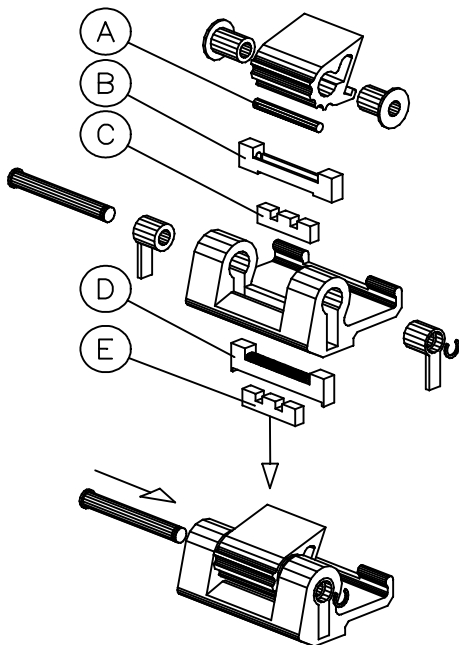
(For cat. No. 7847)



With the hatch closed use a 5mm diameter punch to knock through the hinge pin.
Note: A heavy soft headed mallet is best used to hit the punch.

Repeat with the second hinge, and remove the hatch upper. Clean the hinges removing all the old components.

Note how the components are assembled, and that parts A,B&C are replaced by two parts D&E.



Apply grease liberally to the rubber buffer (E), the cam follower (D) and the splines of the upper hinge.

WARNING:— Failure to grease these components could result in premature failure of the hatch.

Grease the lower hinges.

Assemble the buffer to the follower and put into the lower hinge. Push the two headed bushes into the upper hinge and the two sleeves into the ends of the lower hinge.

Discard parts A,B&C.

With the hatch upper in the open position, match the upper and lower hinges together.

Push the steel hinge pin through the hinge. Repeat with the second hinge.

Push the small circlip onto the end of the steel pin, ensuring it is located onto the groove of the pin. Two small screwdrivers are best for this. Repeat with the second hinge.

Cycle the hatch a minimum of three times between the 180° and 90° positions before fully closing the hatch.

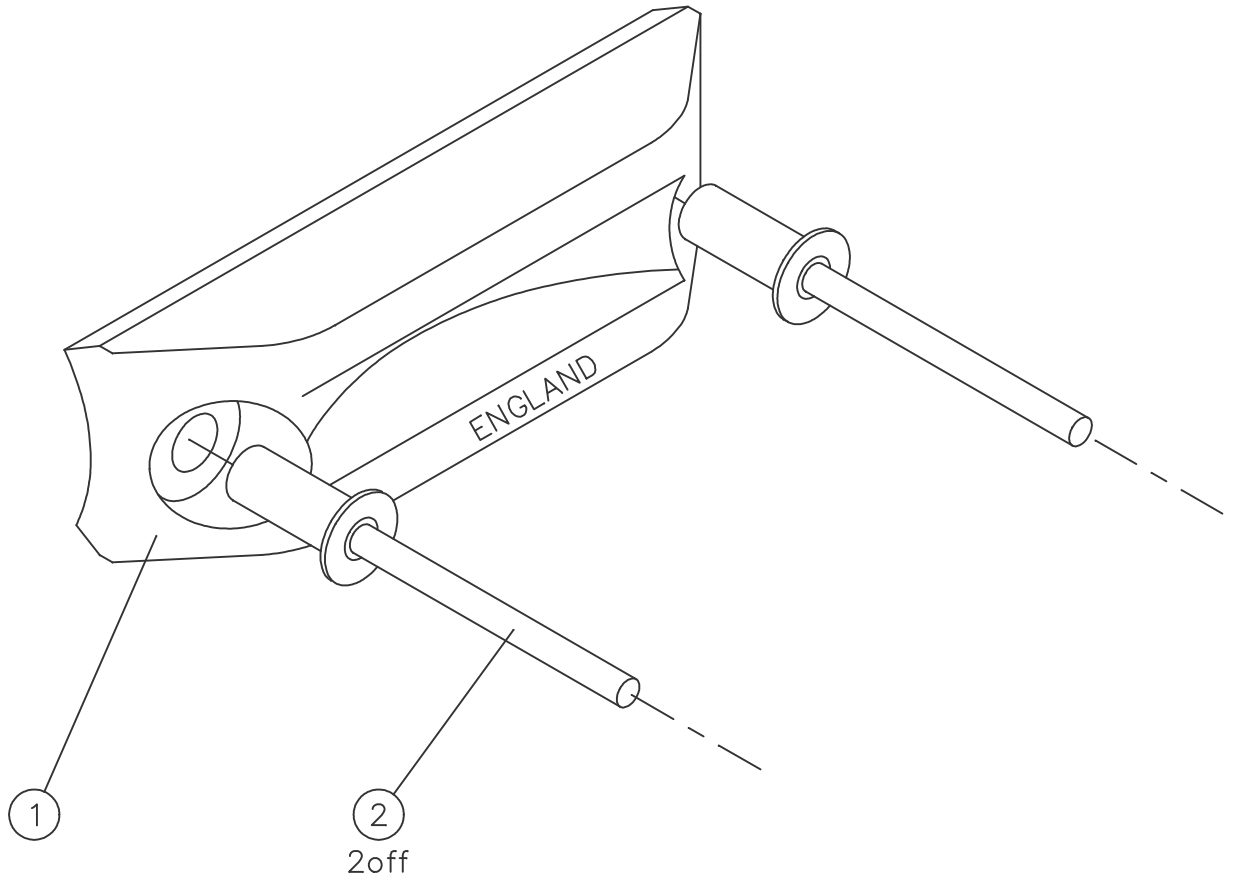
If excessive force is required to initially operate the hatch to the 90° position, remove the hatch upper and check the assembly.

Apply more grease before re-assembly.

HATCH SIZE	OVERALL DIMENSION
30	391 x 521
40	485 x 485

PLEASE TURN OVER

LEWMAR



KIT No.
36006099Z

Z = 0 FOR STANDARD GREY AND 1 FOR BENETEAU GREY

HATCH SPARE PARTS

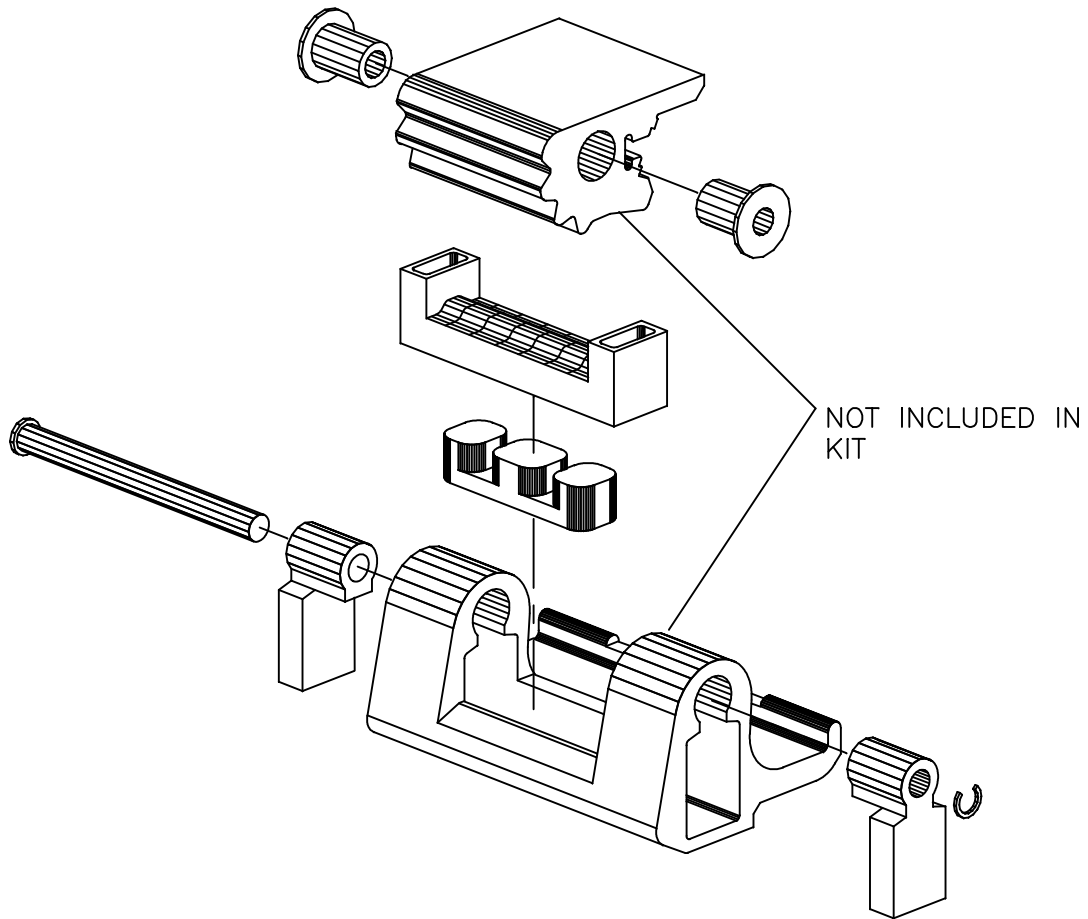
CATCH BLOCK

ISSUE 1.2

DATE 24-MAY-00

LEWMAR

B5521-3



HINGE KIT	HATCH SIZE
19784500	00
19784400	10 & 20
19784700	30 & 40
19782200	50 & 60
19782400	65
19782300	70

ROLLSTOP SPARE PARTS

HINGE KITS

ISSUE

1.4

DATE

28-JUN-00

LEWMAR®

SUPERHATCH SEAL KITS AND ACRYLIC/HINGE FASTENING

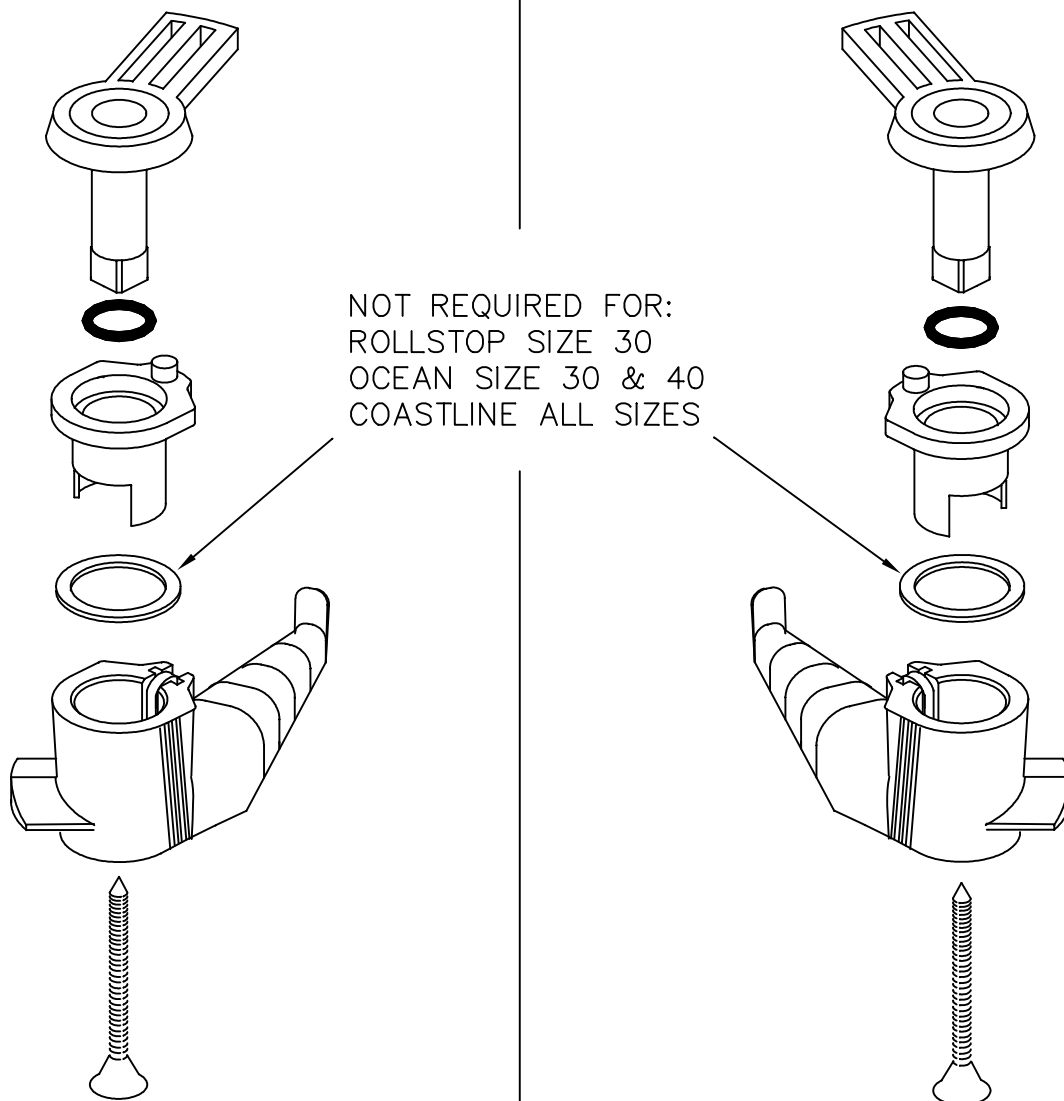
19781000	SH 0 PN 7810 SEAL KIT SPARE (Sz 20)
19781100	SH 1 PN 7811 SEAL KIT SPARE (Sz 30)
19781200	SH 2 PN 7812 SEAL KIT SPARE (Sz 50)
19781300	SH 3 PN 7813 SEAL KIT SPARE (Sz 60)
19781400	SH 4 PN 7814 SEAL KIT SPARE (Sz 70)
19781500	SH 5 PN 7815 SEAL KIT SPARE (Sz 40)
19781600	SH 6 PN 7816 SEAL KIT SPARE (Sz 6)
19781700	SH 7 PN 7817 SEAL KIT SPARE (Sz 10)
360265999	Acrylic/Upper Hinge Fastening (3 x Tappex Nut Insert & M6 x 20 Machine Screws)

Production of Superhatches stopped in 1987 and only a limited range of spares is now available. If the hatch is damaged in the future it may be necessary to purchase a new hatch.

ROLLSTOP SEAL KITS

19783100	RS 10 SEAL KIT SPARE
19783200	RS 20 SEAL KIT SPARE
19783300	RS 30 SEAL KIT SPARE
19783400	RS 40 SEAL KIT SPARE
19783500	RS 50 SEAL KIT SPARE
19783600	RS 60 SEAL KIT SPARE
19783700	RS 70 SEAL KIT SPARE

LEWMAR



KIT No. 36024999Z L.H.

USED ON COASTLINE SZ 40 WITH
 1 HANDLE

KIT No. 36025099Z R.H.

Z = 0 FOR STANDARD GREY AND 1 FOR BENETEAU GREY

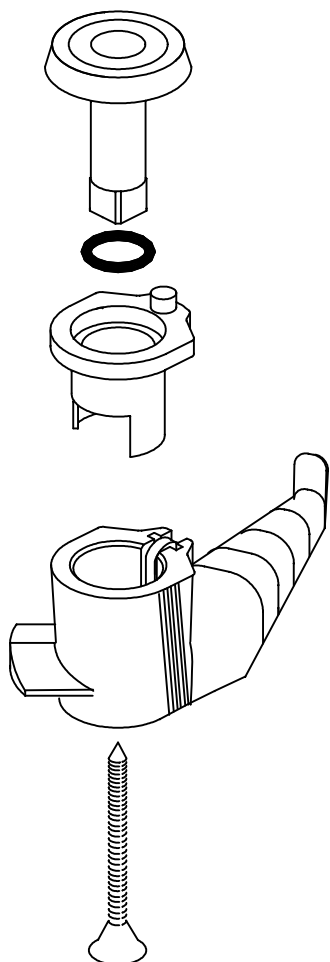
HATCH SPARE PARTS
 USED ON ALL HATCHES SIZE 30 OR LARGER

LARGE HANDLE KIT

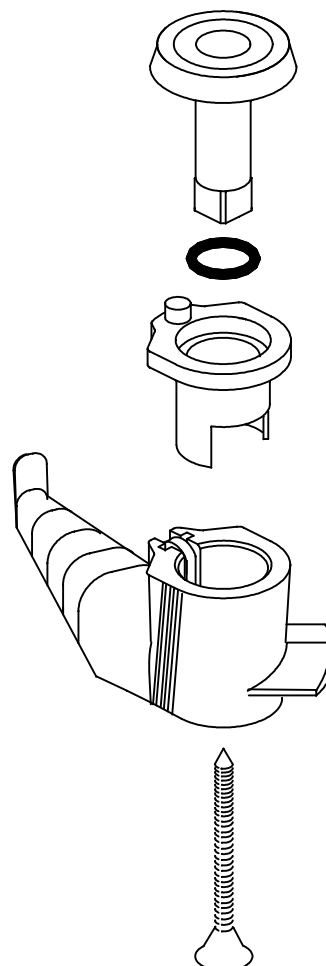
ISSUE 1.3

DATE 28-JUN-00

LEWMAR



KIT No.	36025199Z	L.H.
---------	-----------	------



KIT No.	36025299Z	R.H.
---------	-----------	------

Z = 0 FOR STANDARD GREY AND 1 FOR BENETEAU GREY

HATCH SPARE PARTS

LARGE HANDLE KIT	ISSUE	1.2	DATE	28-JUN-00
------------------	-------	-----	------	-----------