

# **LEWMAR**

## **Ocean Hatch Fitting & Adjustment Instructions**

*(To be retained in owners manual for future reference)*

Ocean hatches are for use on all craft types in accordance with **ISO/DIS 12216.2(E), DESIGN CAT "A", AREAS II, III and IV**. Modification of the hatch by the fitting of vents etc. will invalidate the compliance with the standard.

### **Fitting Instructions**

Ocean hatches should be fitted to a flat surface with a maximum tolerance of +/- 1mm and a deck / hull thickness of 25-70mm (flanged version only). Check that all fastenings will be clear of deck moulding radii etc. Allow clearance for lid opening.

***Do not open and close the hatch more than necessary until the lower frame is securely mounted.***

Mark the deck with a pencil around the inside edge of the lower frame. For hatches with a lower frame flange, increase the aperture size by 3mm all around.

***It is essential that the lower frame is placed square on the deck opening.***

***When fitting a number of hatches it is advisable to prepare a template.***

Cut out deck along pencil line using a suitable saw.

Where the deck is of composite construction, it is recommended that the exposed laminate be sealed with the appropriate material prior to fitting the hatch. Openings cut in metal decks should have all burrs and sharp edges removed.

***Hatches should not be considered as stiffening members and it is recommended that the deck be adequately stiffened to prevent distortion during heavy weather.***

Re-check the frame on aperture and then apply bedding compound to the channel in lower frame. Bedding compound must have good adhesive qualities (eg. silicone sealant), be a suitable grade for marine sealing applications, of 3mm minimum thickness and compressible to allow the lower frame to be pulled down in contact with the deck by the securing screws.

Position lower frame over hole and drill two fixing screw holes in opposite corners. Insert appropriate stainless steel fasteners.(see below).

### **Deck type**

Wood	M5 through bolts or marine grade wood screws.
GRP/Steel/Al Alloy	M5 through bolts or machine screws into suitable tapped plates.
Fixing Sizes	M5, 10UNC, 2BA, 3/16", Wood screws (min. length 40mm).
Hinge Fixings	M6 or 1/4" through bolts only.

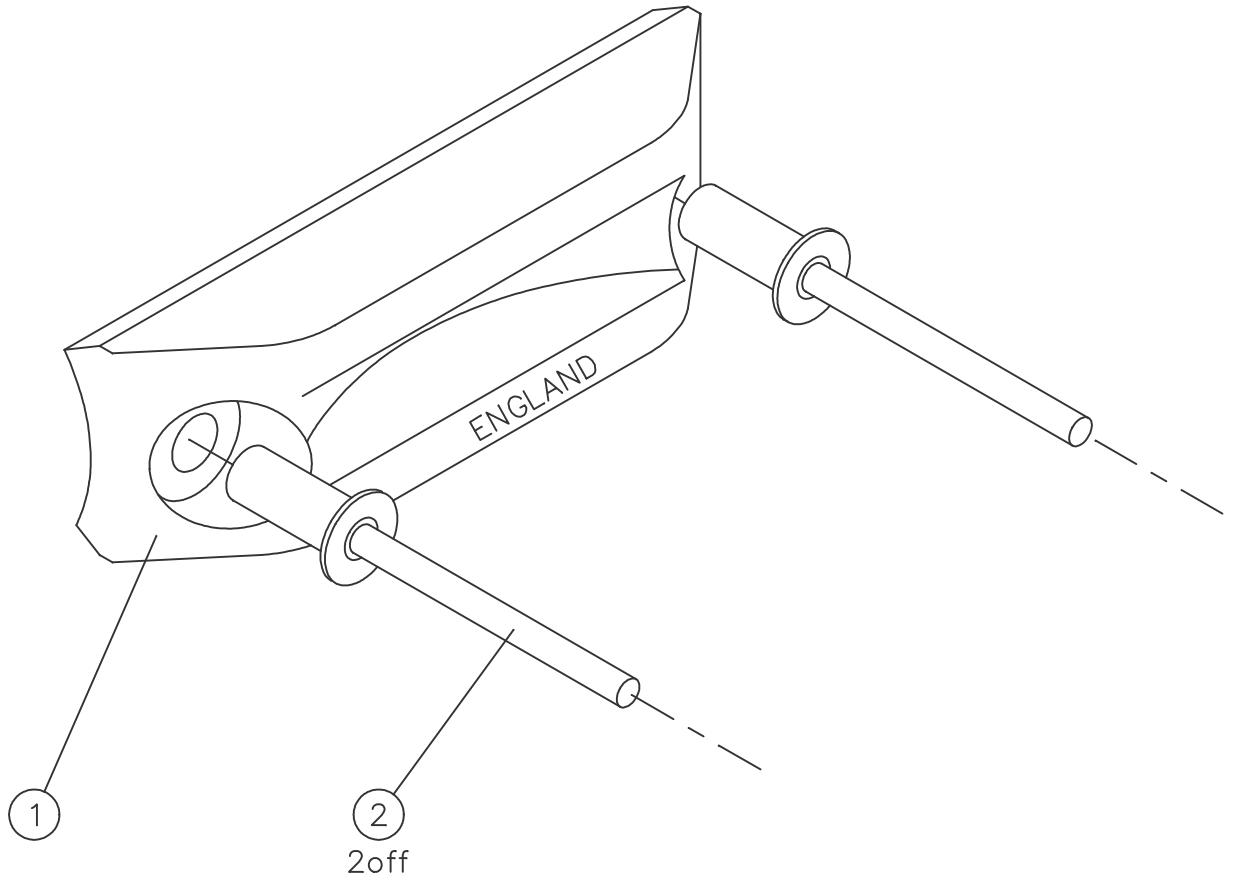
Drill remainder of holes and fasten down from the centre working out to the edges. Clean off surplus sealant.

***Through bolts should be used where fixings pass through lower hinges (M6 or 1/4" only).***

Once installed check for correct operation of the hatch lid, ie. closing/locking, even pressure of seal etc.

Please Turn Over

# LEWMAR



KIT No.
36006099Z

Z = 0 FOR STANDARD GREY AND 1 FOR BENETEAU GREY

## HATCH SPARE PARTS

CATCH BLOCK

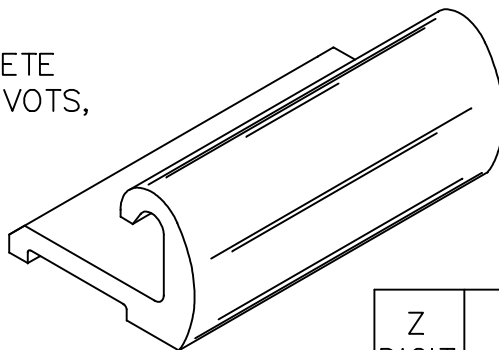
ISSUE 1.2

DATE 24-MAY-00

# LEWMAR

**NOTE!**

FRAMES ARE SUPPLIED COMPLETE  
WITH LOWER HINGES, LEVER PIVOTS,  
CATCH BLOCKS AND RIVETS.



Y DIGIT	FRAME COLOUR
0	SILVER ANODISE
1	BLACK ANODISE
2	WHITE PAINT
8	SHINY SILVER

Z DIGIT	MOULDING COLOUR
0	STANDARD GREY
1	BENETEAU GREY

SOME HIGH VOLUME BUILDERS USE  
CUSTOM PAINT COLOURS NOT SHOWN HERE

KIT No.	HATCH	HATCH OVERALL SIZE
3601879YZ	00	276 x 276
3601899YZ	10	325 x 325
3601919YZ	20	267 x 412
3601939YZ	30	392 x 522
3601959YZ	40	486 x 486
3602139YZ	44	509 x 509
3601979YZ	45	486 x 572
3601999YZ	50	445 x 575
3602159YZ	54	459 x 574
3602019YZ	60	575 x 575
3602039YZ	65	TRAPEZOIDAL 676x554x557
3602059YZ	66	669 x 669
3602079YZ	70	695 x 695
3602099YZ	75	TRAPEZOIDAL 807x552x695
3602119YZ	77	769 x 769

## OCEAN HATCH SPARE PARTS

LOWER FRAMES - FLAT

ISSUE

1.4

DATE

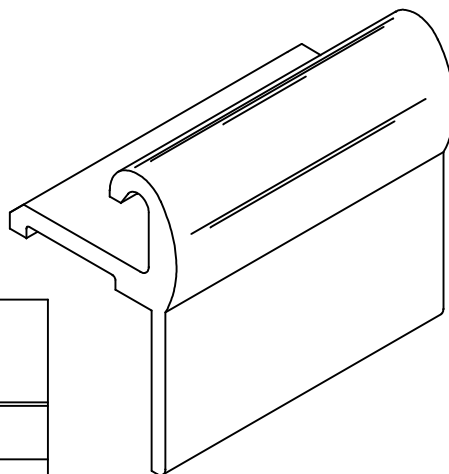
28-JUN-00

# LEWMAR

B5626-3

**NOTE**

FRAMES ARE SUPPLIED COMPLETE WITH LOWER HINGES, LEVER PIVOTS, CATCH BLOCKS & RIVETS.



'Z' DIGIT	MOULDING COLOUR
0	STANDARD GREY
1	BENETEAU GREY

Y DIGIT	FRAME COLOUR
0	SILVER ANODISE
1	BLACK ANODISE
2	WHITE PAINT
8	SHINY SILVER

SOME HIGH VOLUME BUILDERS USE CUSTOM PAINT COLOURS NOT SHOWN HERE

KIT No.	HATCH	HATCH OVERALL SIZE
3601889YZ	00	276 x 276
3601909YZ	10	325 x 325
3601929YZ	20	267 x 412
3601949YZ	30	392 x 522
3601969YZ	40	486 x 486
3602149YZ	44	509 x 509
3601989YZ	45	486 x 572
3602009YZ	50	445 x 575
3602169YZ	54	459 x 575
3602029YZ	60	575 x 575
3602049YZ	65	TRAPEZOIDAL 676x554x557
3602069YZ	66	669 x 669
3602089YZ	70	695 x 695
3602109YZ	75	TRAPEZOIDAL 807x552x695
3602129YZ	77	769 x 769

## OCEAN HATCH SPARE PARTS

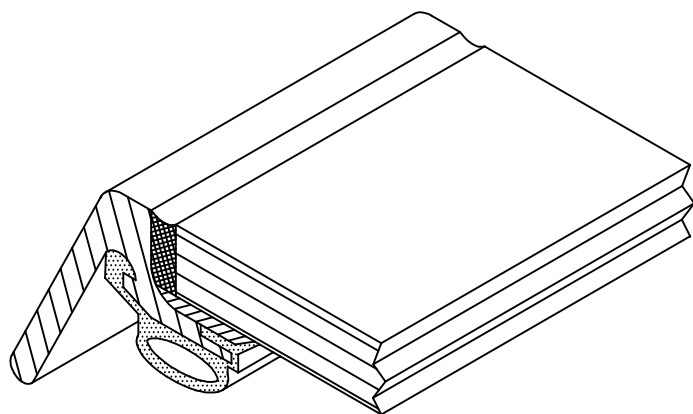
LOWER FRAMES - FLANGED

ISSUE

1.4

DATE 28-JUN-00

# LEWMAR



X DIGIT	ACRYLIC COLOUR
0	SMOKE GREY
1	BRONZE
2	CLEAR
3	WHITE
4	GREEN

Y DIGIT	FRAME COLOUR
0	SILVER ANODISE
1	BLACK ANODISE
2	WHITE PAINT
8	SHINY SILVER

SOME HIGH VOLUME BUILDERS USE  
CUSTOM PAINT COLOURS NOT SHOWN HERE

KIT No.	HATCH	HATCH OVERALL SIZE
360218XY9	00	276 x 276
360219XY9	10	325 x 325
360220XY9	20	267 x 412
360221XY9	30	392 x 522
360222XY9	40	486 x 486
360233XY9	44	509 x 509
360223XY9	45	486 x 572
360224XY9	50	445 x 575
360234XY9	54	459 x 575
360225XY9	60	575 x 575
360226XY9	65	TRAPEZOIDAL 676x554x557
360227XY9	66	669 x 669
360228XY9	70	695 x 695
360229XY9	75	TRAPEZOIDAL 807x552x695
360230XY9	77	769 x 769

## OCEAN HATCH SPARE PARTS

UPPER FRAMES

ISSUE

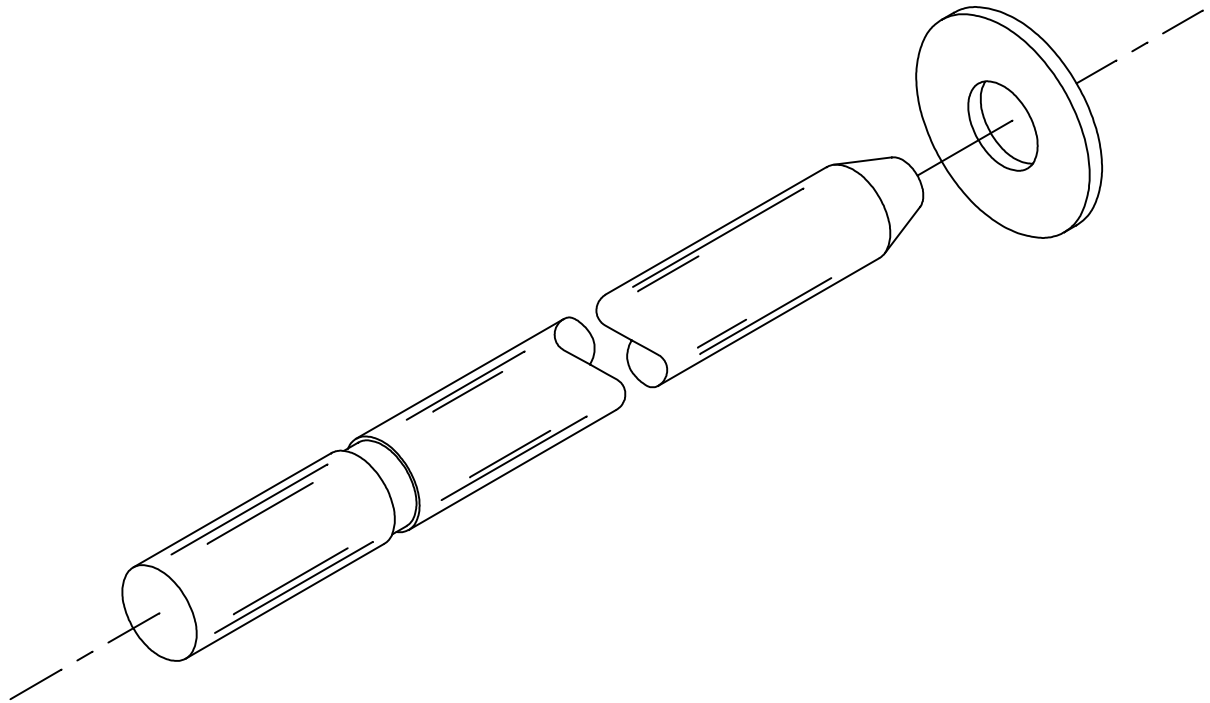
1.4

DATE

28-JUN-00

# LEWMAR

B5659-2



KIT No.	HATCH SIZE
360235999	00
360236999	10
360237999	20,30,40,44,45,50,54,60 & 65
360238999	66
360239999	70
360240999	75
360241999	77

## OCEAN HATCH SPARE PARTS

HINGE PIN KITS

ISSUE

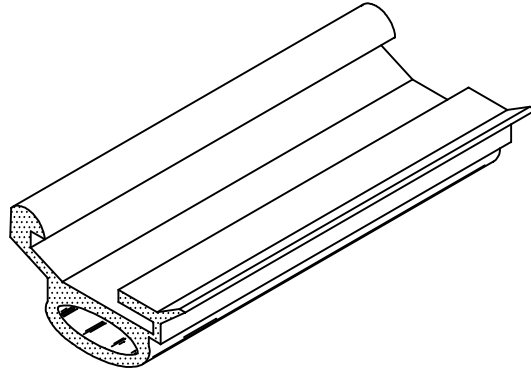
1.2

DATE

22.4.98

# LEWMAR

B5660-3



KIT No.	HATCH	HATCH OVERALL SIZE
360370999	00	276 x 276
360371999	10	325 x 325
360372999	20	267 x 412
360373999	30	392 x 522
360374999	40	486 x 486
360381999	44	509 x 509
360375999	50	445 x 575
360382999	54	459 x 574
360376999	60	575 x 575
360377999	63	624 x 624
360378999	65	TRAPEZOIDAL 676x554x557
360379999	70	695 x 695
360380999	75	TRAPEZOIDAL 807x552x695
360383999	77	767 x 767

## OCEAN HATCH SPARE PARTS

REPLACEMENT SEALS

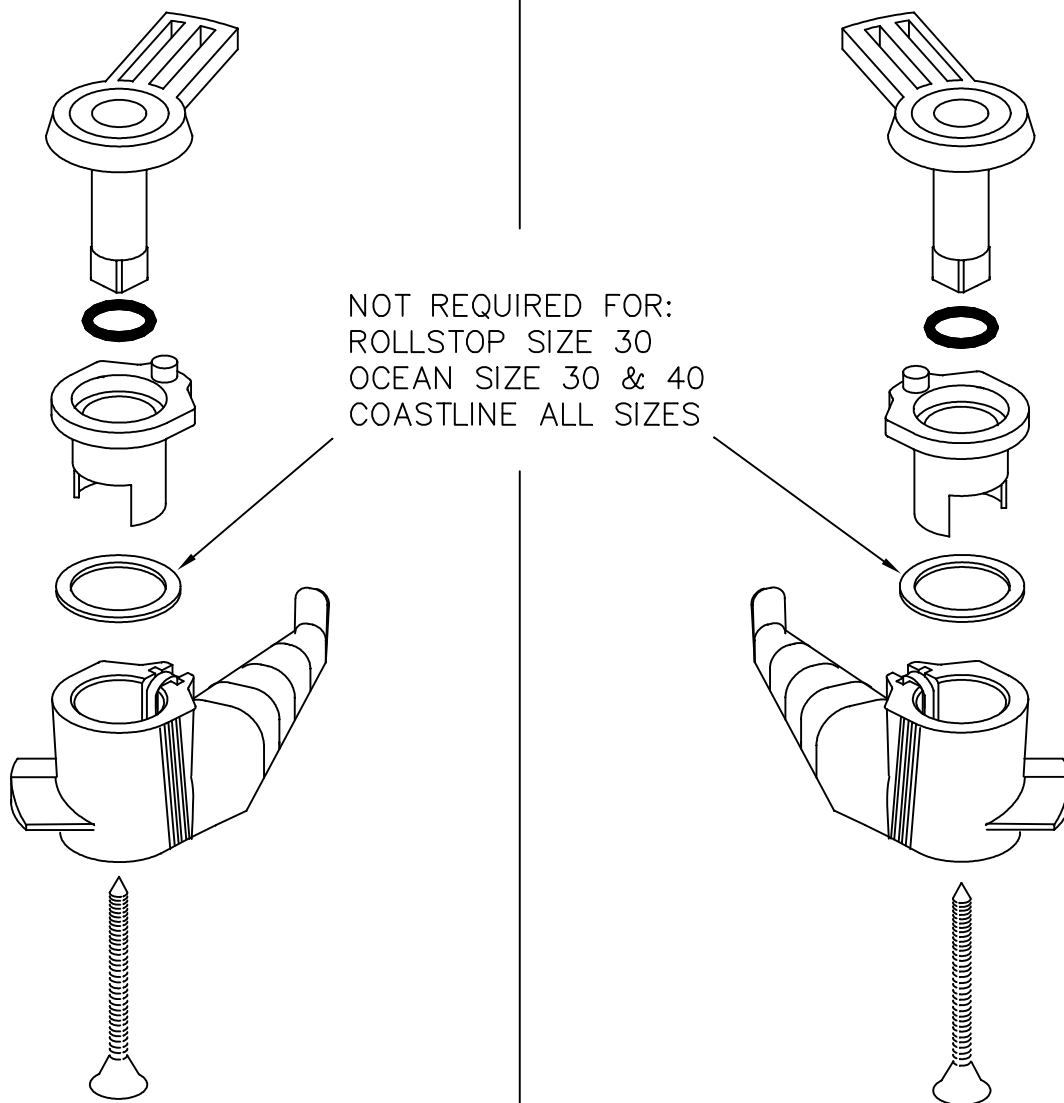
ISSUE

1.3

DATE

03.12.98

# LEWMAR



KIT No. 36024999Z L.H.

USED ON COASTLINE SZ 40 WITH  
 1 HANDLE

KIT No. 36025099Z R.H.

Z = 0 FOR STANDARD GREY AND 1 FOR BENETEAU GREY

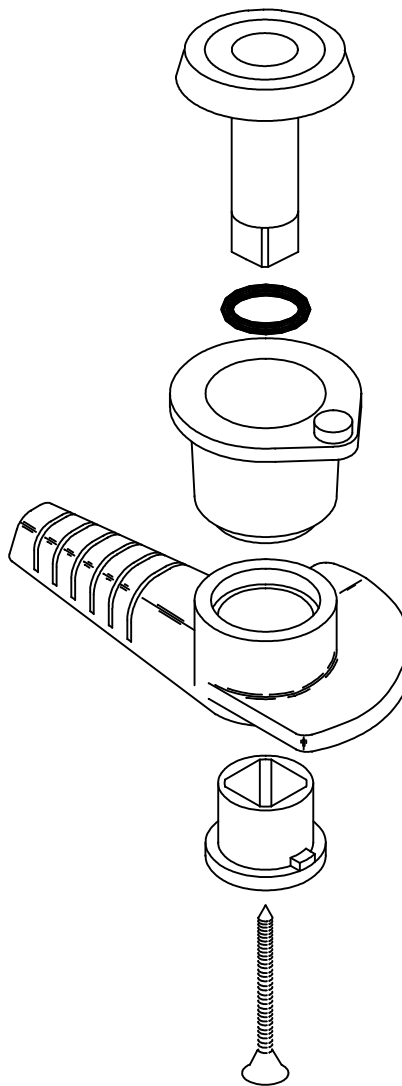
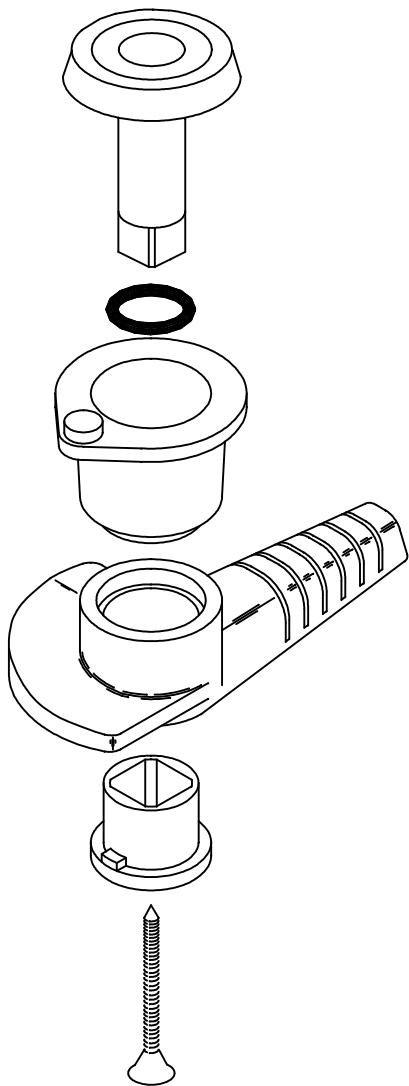
HATCH SPARE PARTS  
 USED ON ALL HATCHES SIZE 30 OR LARGER

LARGE HANDLE KIT

ISSUE 1.3

DATE 28-JUN-00

# LEWMAR



KIT No.	36025599Z	L.H.
---------	-----------	------

KIT No.	36025699Z	R.H.
---------	-----------	------

USED ON TRIMPORTS  
WITH ONLY 1 HANDLE

Z = 0 FOR STANDARD GREY AND 1 FOR BENETEAU GREY

## TRIMPORT SPARE PARTS

SMALL HANDLE KITS

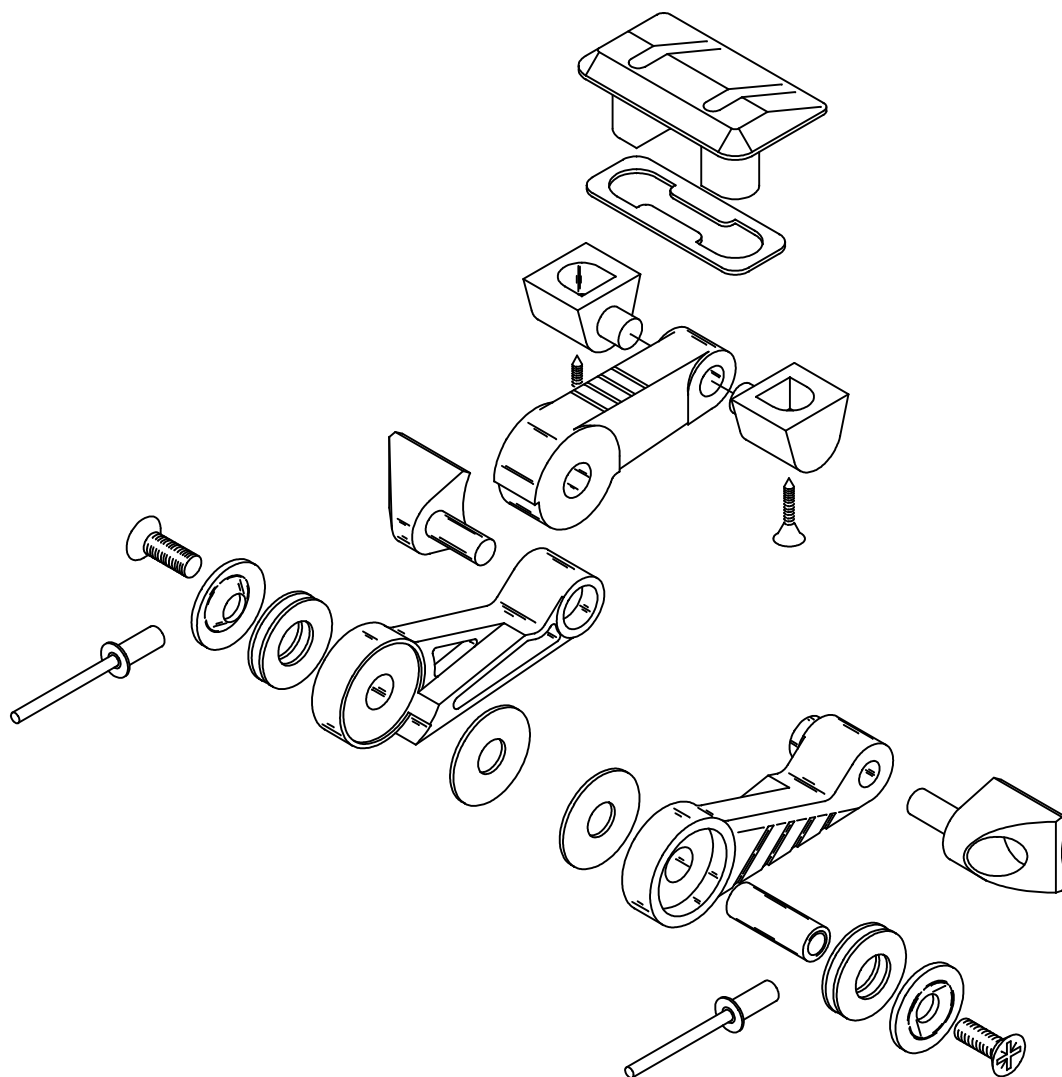
ISSUE

1.4

DATE

16-JUN-00

# LEWMAR



KIT No.	USED ON
36027099Z	TRIMPORT HATCHES
36027199Z	SMALL OCEAN HATCHES (00,10 & 20)

Z = 0 FOR STANDARD GREY AND 1 FOR BENETEAU GREY

## HATCH SPARE PARTS

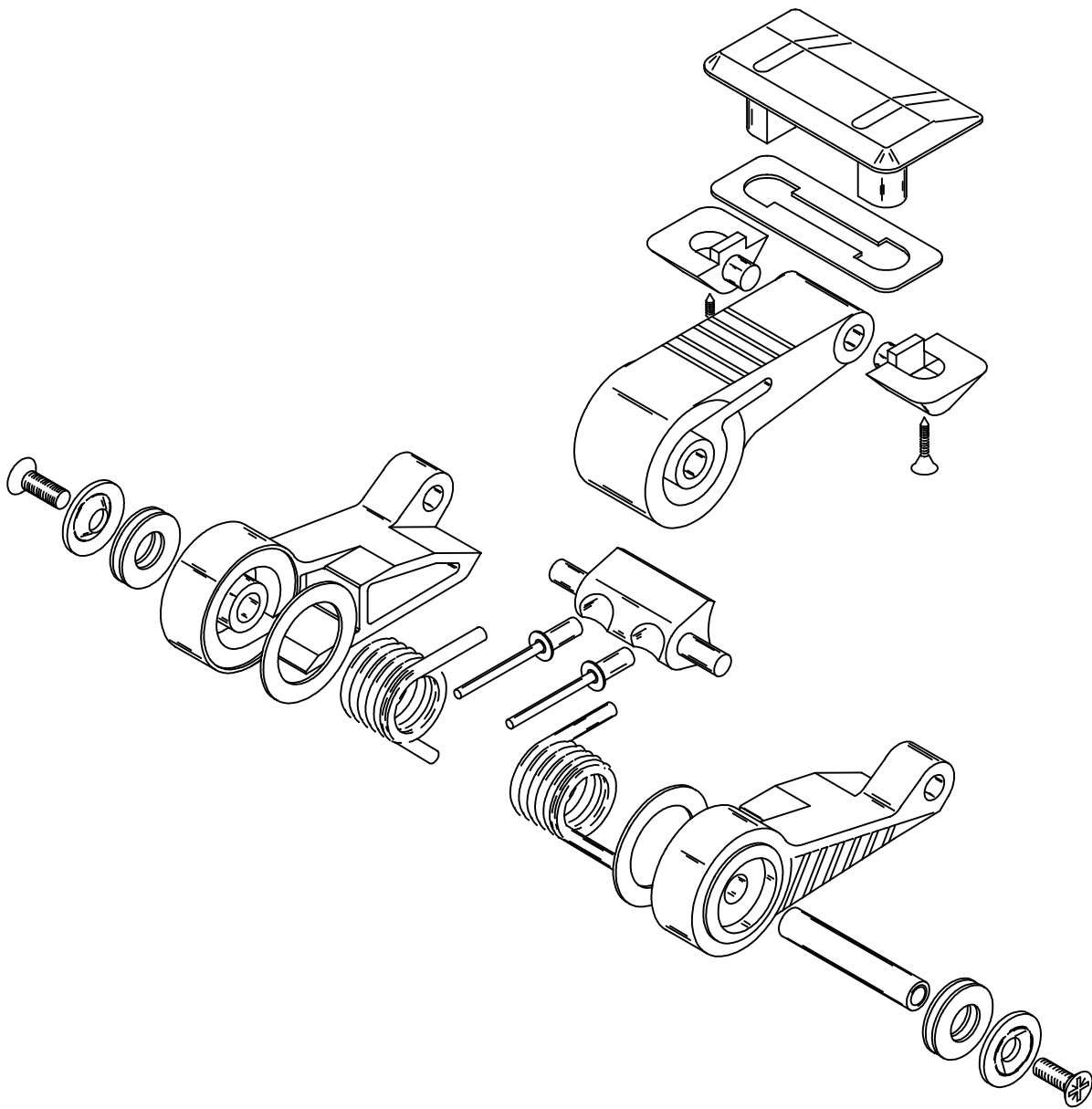
SMALL FRICTION LEVER KITS

ISSUE 1.2

DATE 16-6-00

# LEWMAR

B5676-1



KIT No.	USED ON
36027299Z	OCEAN 30-50, COASTLINE TO 65
36027399Z	OCEAN 50 UP, COASTLINE 65 UP

Z = 0 FOR STANDARD GREY AND 1 FOR BENETEAU GREY

## HATCH SPARE PARTS

LARGE FRICTION LEVER KITS

ISSUE 1.1

DATE 19.6.92