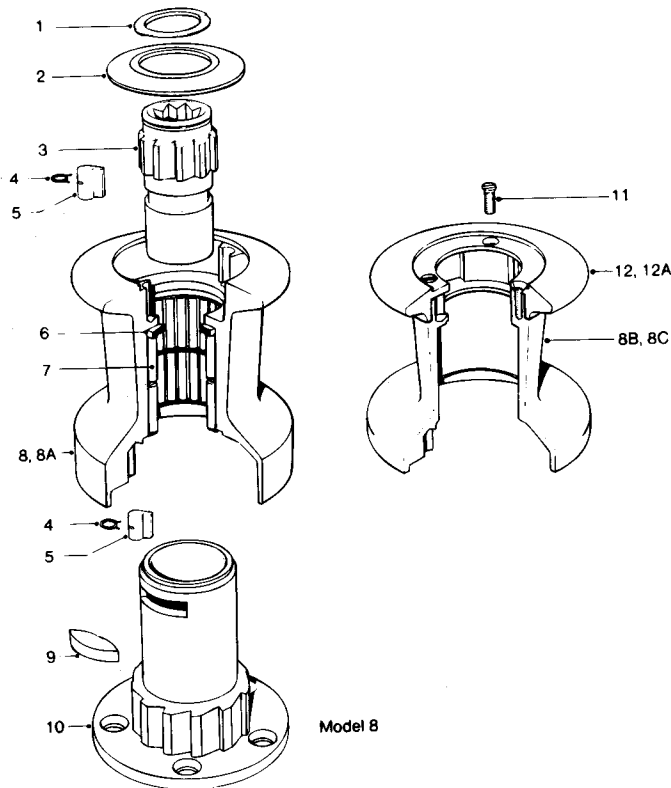
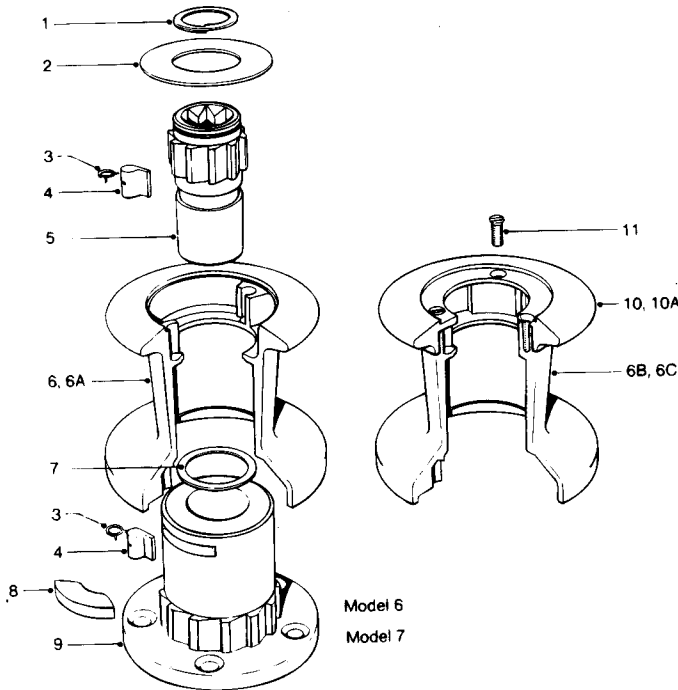


No's 6/7/8 - 1 SPEED WINCH



No. 6 - 1 SPEED WINCH

Item	Description	Part Number	No. Off
1	Circlip	B2075	1
2	Top Cap	45001000	1
3	Pawl Spring	1260/7	4
4	Pawl	1260/8	4
5	No 6/7 Spindle (Grey)	45001018	1
6	Drum Alloy (Black)	15000363	1
6a	Drum Alloy (Grey)	45001014	1
6b	Drum Bronze	15000660	1
6c	Drum Chrome	15006102	1
7	Washer	15006004	1
8	Key	15006005	1
9	Centre Stem	15000144	1

No 7 - 1 SPEED WINCH

1	Circlip	B2075	1
2	Top Cap	45001100	1
3	Pawl Spring	1260/7	4
4	Pawl	1260/8	4
5	No 6/7 Spindle (Grey)	45001018	1
6	Drum Alloy (Black)	45001113	1
6a	Drum Alloy (Grey)	45001114	1
6b	Drum Bronze	15000661	1
6c	Drum Chrome	15000650	1
7	Washer	15006004	1
8	Key	15010005	1
9	Centre Stem	15000143	1
10	No 7b & 7c Crown (Grey)	45001109	1
10a	Crown (Black)	45001108	1
11	M5 x 12mm Long Posidriv 7b & 7c - CSK HD Screw	15000527	3

No. 8 - 1 SPEED WINCH

1	Circlip	B2075	1
2	Top Cap	45001200	1
3	Spindle	15008003	1
4	Pawl Spring	1260/7	4
5	Pawl	1260/8	4
6	Drum Washer	15008004	1
7	Roller Bearing Assembly	15008007	2
8	Drum Alloy (Black)	45001113	1
8a	Drum Alloy (Grey)	45001114	1
8b	Drum Chrome	15000661	1
8c	Drum Bronze	15000650	1
9	Key	15008005	1
10	Centre Stem	15008001	1
11	M5 x 12mm Long Posidriv 8b & 8c - CSK HD Screw	15000527	3
12	8b & 8c - Crown (Grey)	45001109	1
12a	8b & 8c - Crown (Black)	45001108	1