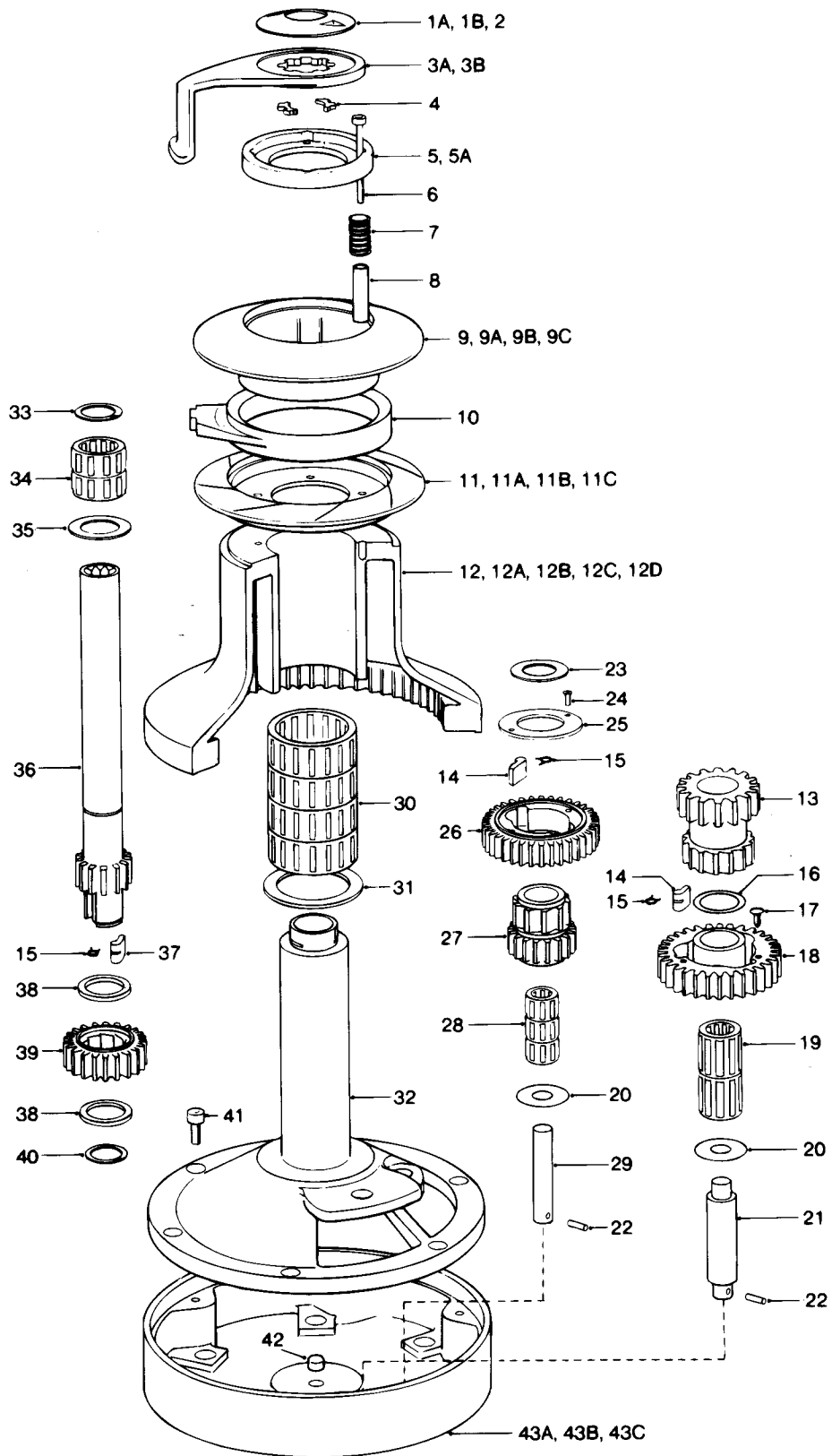


**No. 66ST - 2 SPEED SELF TAILING WINCH**



**LEWMAR®**

## No. 66ST - 2 SPEED SELF TAILING WINCH

Item	Description	Part Number	No. Off
1a	Chrome Top Cap 66AST/66CST/66CCST	45000700	1
1b	Bronze Top Cap 66BST/66BBST	45000701	1
2	'O' Ring (Fitted in Item 1a/1b)	B6061	1
3a	Chrome Feeder Arm 66AST/66CST/66CCST	45000903	1
3b	Bronze Feeder Arm 66BST/66BBST	45000904	1
4	Collet	45000102	2
5	Spring Retainer (Black)	45000995	1
5a	Spring Retainer (Grey)	45000925	1
6	M6 x 65 S/S Skt Hd Cap Screw	B0841	5
7	Spring	45000912	5
8	Spacer	45000913	5
9	Upper Crown (Black)	45000985	1
9a	Upper Crown (Grey) 66AST/66BST/66CST	45000905	1
9b	Bronze Upper Crown Assembly 66BBST	48066000	1
9c	Chrome Upper Crown Assembly 66CCST	48066001	1
10	Stripper Ring (Grey)	45000908	1
11	Lower Crown (Black)	45000989	1
11a	Lower Crown (Grey) 66AST/66BST/66CST	45000909	1
11b	Bronze Lower Crown Assembly 66BBST	48066005	1
11c	Chrome Lower Crown Assembly 66CCST	48066006	1
12	Drum Alloy (Black)	45000984	1
12a	Drum Alloy 66AST	45000914	1
12b	Drum Bronze 66BST/66BBST	45000916	1
12c	Drum Chrome 66CST/66CCST	45000915	1
12d	Drum Stainless Steel 66SST	48066013	1
13	Ratchet Gear	45000920	1

Item	Description	Part Number	No. Off
14	Pawl	1264/8	5
15	Pawl Spring	1260/7	7
16	Washer	45000965	1
17	Fir Tree Retainer	B2233	3
18	Pawl Gear	45000919	1
19	Roller Bearing Assembly	15000018	2
20	Washer	15000247	2
21	Gear Spindle	15000239	1
22	3/16" x 3/4" Spirol Pin	B1501	2
23	Washer	15000719	1
24	M5 x 12 S/S Csk Hd Posidriv Screw	B0543	2
25	Retainer	15000023	1
26	Pawl Gear	45000922	1
27	Ratchet Gear	45000921	1
28	Roller Bearing Assembly	15000017	3
29	Gear Spindle	15001587	1
30	Roller Bearing Assembly	15044121	4
31	Drum Washer	15000287	1
32	Centre Stem	45000917	1
33	Circlip	B2086	1
34	Roller Bearing Assembly	15000019	2
35	Washer	15000024	1
36	Main Spindle	45000918	1
37	Pawl	1260/8	2
38	Spacer	15000303	2
39	Ratchet Gear	45000926	1
40	Circlip	B2075	1
41	M10 x 20 S/S Skt Hd Cap Screw	B0691	6
42	Buffer	15000723	1
43a	Base (Grey) 66AST/66CST	45000930	1
43b	Base (Chrome) 66CCST	45000931	1
43c	Base (Bronze) 66BST/66BBST	45000932	1

**NOTE:**

- When converting to all bronze, base 43a should be changed to 43c
- When converting to all chrome, base 43a should be changed to 43b

Conversion kit for all bronze and all chrome winch:-

9b + 11b = 48066022

9c + 11c = 48066023

9b/9c/11b/11c are all assembled components NOT available separated.