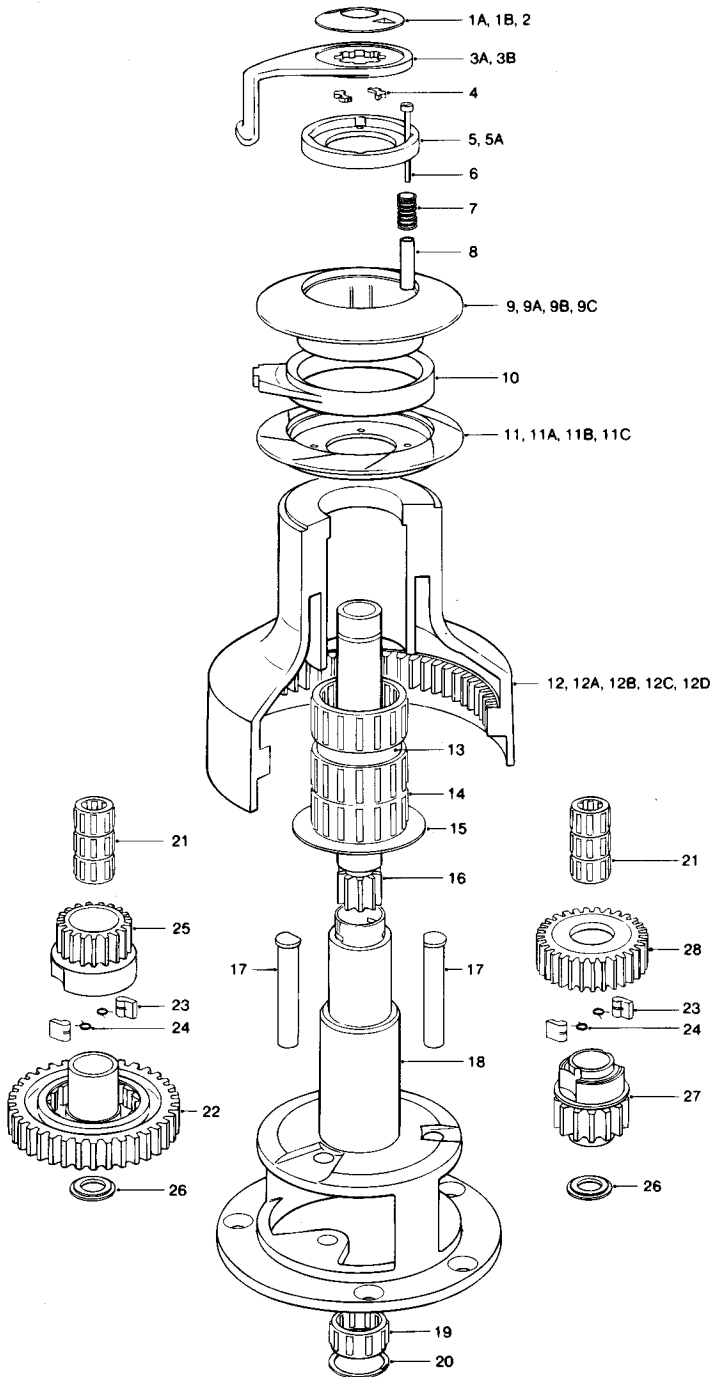


No. 58ST - 2 SPEED SELF TAILING WINCH



Item	Description	Part Number	No. Off
1a	Chrome Top Cap 58AST/58CST/58CCST	45000700	1
1b	Bronze Top Cap 58BST/58BBST	45000701	1
2	'O' Ring (Fitted in Item 1a/1b)	B6061	1
3a	Chrome Feeder Arm 58AST/58CST/58CCST	45000703	1
3b	Bronze Feeder Arm 58BST/58BBST	45000704	1
4	Collet	45000102	2
5	Spring Retainer (Black)	45000795	1
5a	Spring Retainer (Grey)	45000725	1
6	M6 x 55 Skt Hd Cap Screw	B0756	4
7	Spring	45000512	4
8	Spacer	45000713	4
9	Upper Crown (Black)	45000785	1
9a	Upper Crown (Grey) 58AST/58BST/58CST	45000705	1
9b	Bronze Upper Crown Assembly 58BBST	48058000	1
9c	Chrome Upper Crown Assembly 58CCST	48058001	1
10	Stripper Ring (Grey)	45000708	1
11	Lower Crown (Black)	45000789	1
11a	Lower Crown (Grey) 58AST/58BST/58CST	45000709	1
11b	Bronze Lower Crown Assembly 58BBST	48058005	1
11c	Chrome Lower Crown Assembly 58CCST	48058006	1
12	Drum Alloy (Black)	45000784	1
12a	Drum Alloy 58AST	45000714	1
12b	Drum Bronze 58BST/58BBST	45000716	1
12c	Drum Chrome 58CST/58CCST	45000715	1
12d	Drum Stainless Steel	45000770	1
13	Spacer	15065115	1
14	Roller Bearing Assembly	15044121	3
15	Drum Washer	45000534	1
16	Main Spindle	45000718	1
17	Gear Spindle	45000624	2
18	Centre Stem	45000717	1
19	Roller Bearing Assembly (Fitted in Item 18)	15000019	1
20	Circlip (Fitted in Item 18)	B2092	1
21	Roller Bearing Assembly	15000017	6
22	Ratchet Gear	45000720	1
23	Pawl	1264/8	4
24	Pawl	1260/7	4
25	Pawl Gear	45000719	1
26	Flanged Washer	15000646	2
27	Pawl Gear	45000721	1
28	Ratchet Gear	45000722	1

NOTE:

Conversion kit for all bronze and all chrome winch-

9b + 11b = 48058022

9c + 11c = 48058023

9b/9c/11b/11c are all assembled components NOT available separated.