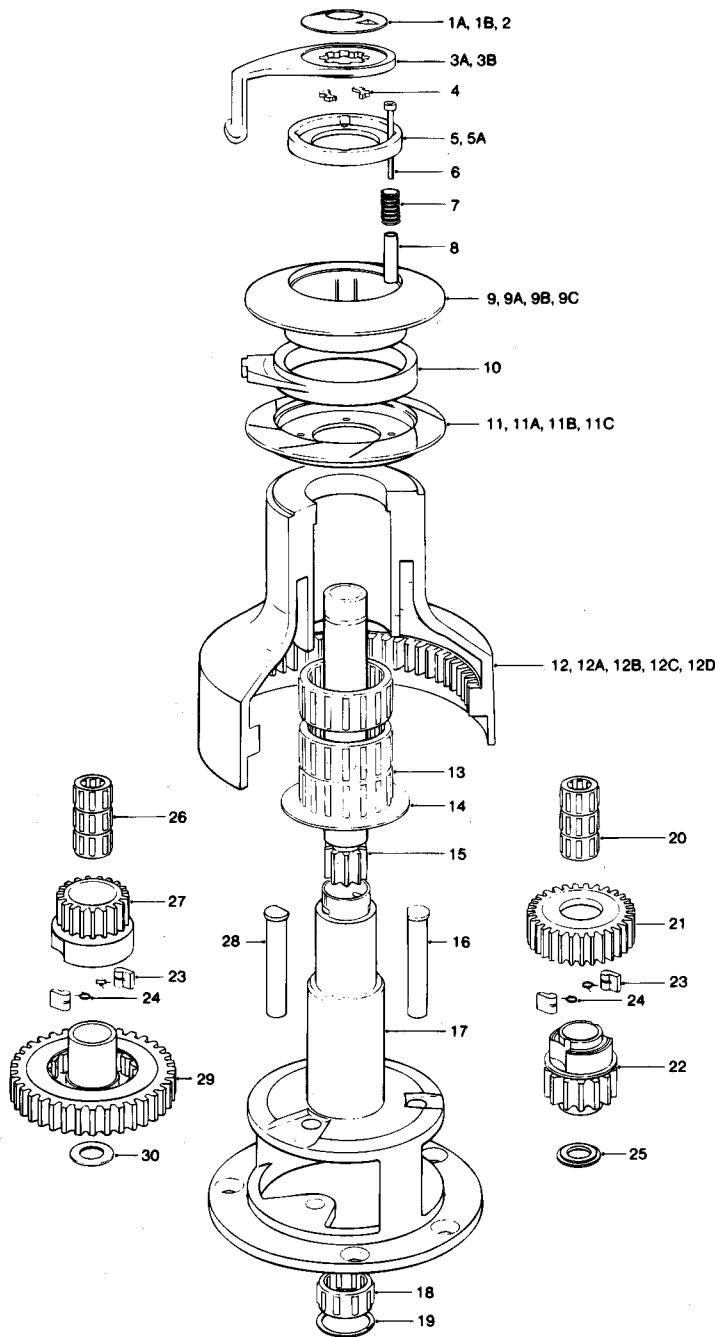


No. 54ST - 2 SPEED SELF TAILING WINCH



Item	Description	Part Number	No. Off
1a	Chrome Top Cap 54AST/54CST/54CCST	45000100	1
1b	Bronze Top Cap 54BST/54BBST	45000101	1
2	'O' Ring (Fitted in Item 1a/1b)	B6061	1
3a	Chrome Feeder Arm 54AST/54CST/54CCST	45000603	1
3b	Bronze Feeder Arm 54BST/54BBST	45000604	1
4	Collet	45000102	2
5	Spring Retainer (Black)	45000595	1
5a	Spring Retainer (Grey)	45000525	1
6	M6 x 50 Skt Hd Cap Screw	B0746	4
7	Spring	45000512	4
8	Spacer	45000513	4
9	Upper Crown Assembly (Black)	45000585	1
9a	Upper Crown (Grey) 54AST/54BST/54CST	45000505	1
9b	Bronze Upper Crown Assembly 54BBST	48054000	1
9c	Chrome Upper Crown Assembly 54CCST	48054001	1
10	Stripper Ring (Grey)	45000508	1
11	Lower Crown (Black)	45000589	1
11a	Lower Crown (Grey) 54AST/54BST/54CST	45000509	1
11b	Bronze Lower Crown Assembly 54BBST	48054005	1
11c	Chrome Lower Crown Assembly 54CCST	48054006	1
12	Drum Alloy (Black)	45000684	1
12a	Drum Alloy 54AST	45000614	1
12b	Drum Bronze 54BST/54BBST	45000616	1
12c	Drum Chrome 54CST/54CCST	45000615	1
12d	Drum Stainless Steel 54SST	45000670	1
13	Roller Bearing Assembly	15044121	3
14	Drum Washer	45000534	1
15	Main Spindle	45000618	1
16	Gear Spindle	45000624	1
17	Centre Stem	45000617	1
18	Roller Bearing Assembly (Fitted in Item 17)	15000019	1
19	Circlip (Fitted in Item 17)	B2092	1
20	Roller Bearing Assembly	15000017	3
21	Ratchet Gear	45000522	1
22	Pawl Gear	45000621	1
23	Pawl	1264/8	4
24	Pawl Spring	1260/7	4
25	Flanged Washer	45000646	1
26	Rolling Bearing Assembly	1300/SA2	3
27	Pawl Gear	45000519	1
28	Gear Spindle	45000523	1
29	Ratchet Gear	45000520	1
30	Washer	15000981	1

NOTE:

Conversion kit for all bronze and all chrome winch:-

9b + 11b = 48050022

9c + 11c = 48050023

9b/9c/11b/11c are all assembled components NOT available separated.