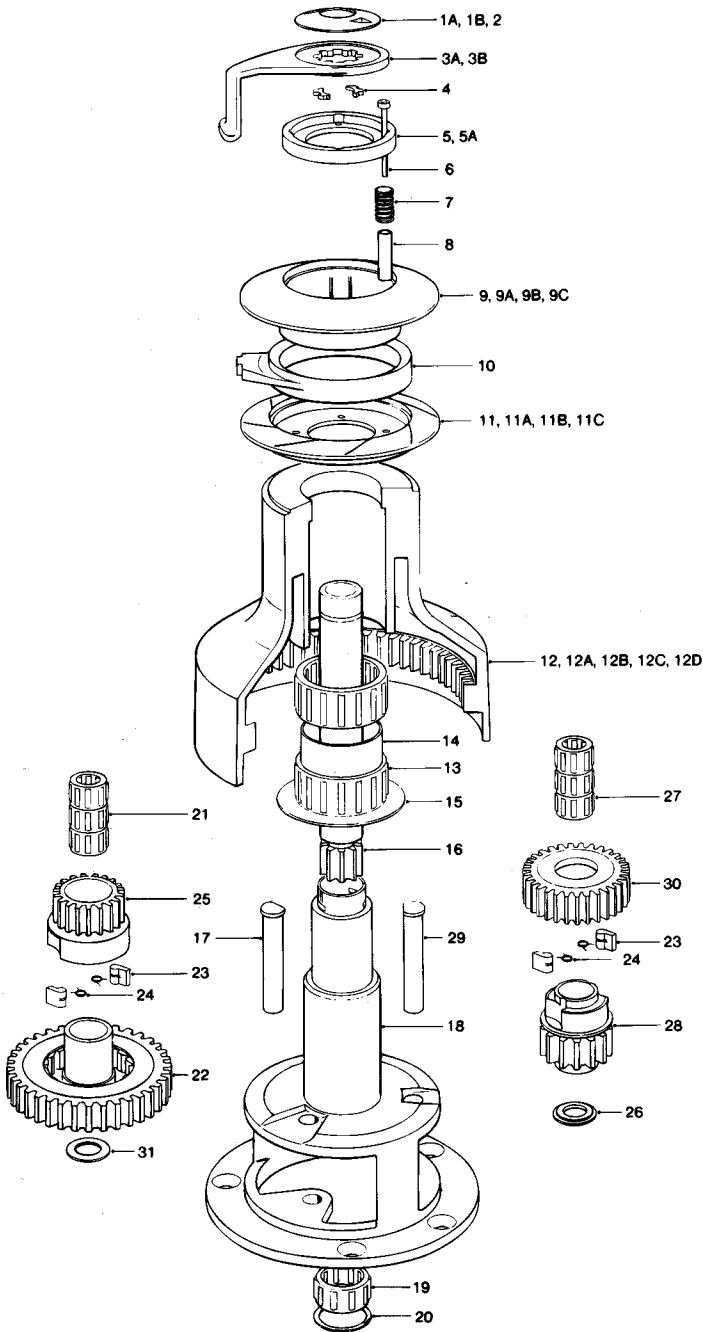


No. 50ST - 2 SPEED SELF TAILING WINCH



Item	Description	Part Number	No. Off
1a	Chrome Top Cap 50AST/50CST/50CCST	45000100	1
1b	Bronze Top Cap 50BST/50BBST	45000101	1
2	'O' Ring (Fitted in Item 1a/1b)	B6061	1
3a	Chrome Feeder Arm 50AST/50CST/50CCST	45000503	1
3b	Bronze Feeder Arm 50BST/50BBST	45000504	1
4	Collet	45000102	2
5	Spring Retainer (Black)	45000595	1
5a	Spring Retainer (Grey)	45000525	1
6	M6x50 Skt Hd Cap Screw	B0746	4
7	Spring	45000512	4
8	Spacer	45000513	4
9	Upper Crown (Black)	45000585	1
9a	Upper Crown (Grey) 50AST/50BST/50CST	45000505	1
9b	Bronze Upper Crown Assembly 50BBST	48050000	1
9c	Chrome Upper Crown Assembly 50CCST	48050001	1
10	Stripper Ring (Grey)	45000508	1
11	Lower Crown (Black)	45000589	1
11a	Lower Crown (Grey) 50AST/50BST/50CST	45000509	1
11b	Bronze Lower Crown Assembly 50BBST	48050005	1
11c	Chrome Lower Crown Assembly 50CCST	48050006	1
12	Drum Alloy (Black)	45000584	1
12a	Drum Alloy 50AST	45000514	1
12b	Drum Bronze 50BST/50BBST	45000516	1
12c	Drum Chrome 50CST/50CCST	45000515	1
12d	Drum Stainless Steel 50SST	45000570	1
13	Roller Bearing Assembly	15044121	2
14	Bearing Spacer	15042012	1
15	Drum Washer	45000534	1
16	Main Spindle	45000518	1
17	Gear Spindle	45000523	1
18	Centre Stem	45000517	1
19	Roller Bearing Assembly (Fitted in Item 18)	15000019	1
20	Circlip (Fitted in Item 18)	B2092	1
21	Roller Bearing Assembly	1300/SA2	3
22	Ratchet Gear	45000520	1
23	Pawl	1264/8	4
24	Pawl Spring	1260/7	4
25	Pawl Gear	45000519	1
26	Flanged Washer	15000646	1
27	Rolling Bearing Assembly	15000017	3
28	Pawl Gear	45000521	1
29	Gear Spindle	45000524	1
30	Ratchet Gear	45000522	1
31	Washer	15000981	1

NOTE:

Conversion kit for all bronze and all chrome winch:-

9b + 11b = 48050022

9c + 11c = 48050023

9b/9c/11b/11c are all assembled components NOT available separated.

LEWMAR®