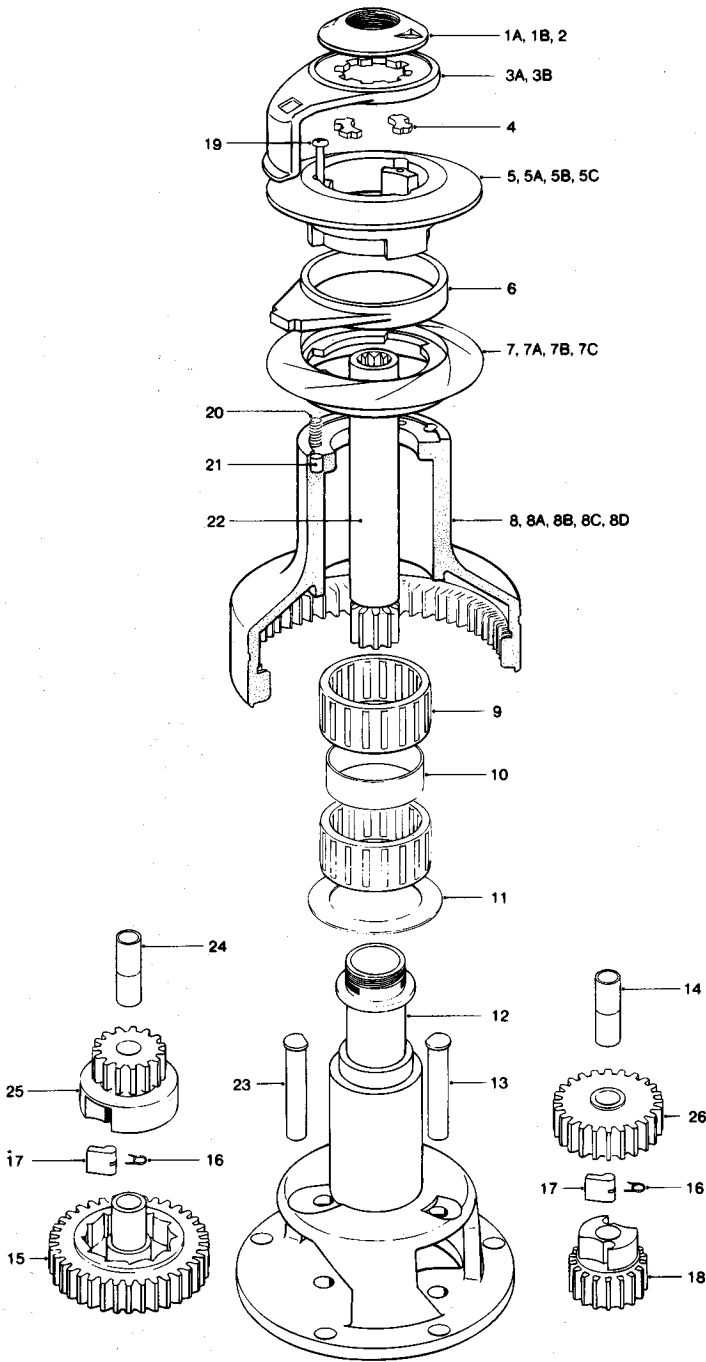


# No. 48ST - 2 SPEED SELF TAILING WINCH



Item	Description	Part Number	No. Off
1a	Chrome Top Cap 48AST/48CST/48CCST	45000100	1
1b	Bronze Top Cap 48BST/48BBST	45000101	1
2	'O' Ring (Fitted in Item 1a/1b)	B6061	1
3a	Chrome Feeder Arm 48AST/48CST/48CCST	45000403	1
3b	Bronze Feeder Arm 48BST/48BBST	45000404	1
4	Collet	45000102	2
5	Upper Crown (Black)	45000485	1
5a	Upper Crown (Grey) 48AST/48BST/48CST	45000405	1
5b	Bronze Upper Crown Assembly 48BBST	48048000	1
5c	Chrome Upper Crown Assembly 48CCST	48048001	1
6	Stripper Ring (Grey)	45000408	1
7	Lower Crown (Black)	45000489	1
7a	Lower Crown (Grey) 48AST/48BST/48CST	45000409	1
7b	Bronze Lower Crown Assembly 48BBST	48048005	1
7c	Chrome Lower Crown Assembly 48CCST	48048006	1
8	Drum Alloy (Black)	45000484	1
8a	Drum Alloy 48AST	45000414	1
8b	Drum Bronze 48BST/48BBST	45000416	1
8c	Drum Chrome 48CST/48CCST	45000415	1
8d	Drum Stainless Steel 48SST	45000470	1
9	Roller Bearing Assembly	15044121	2
10	Spacer	15000404	1
11	Drum Washer	15044116	1
12	Centre Stem	48048017	1
13	Gear Spindle	45000424	1
14	Gear Spindle Sleeve	15000398	2
15	Ratchet Gear	45000420	1
16	Pawl Spring	1260/7	4
17	Pawl	1260/8	4
18	Pawl Gear	15000397	1
19	M5 x 40 S/S Posidriv Pan HD Screw	B0327	3
20	Spring	45000112	6
21	Spring Cup	45000113	6
22	Main Spindle	45000418	1
23	Gear Spindle	45000423	1
24	Gear Spindle Sleeve	45000429	2
25	Pawl Gear	45000419	1
26	Ratchet Gear	45000422	1

**NOTE:**  
 Conversion kit for all bronze and all chrome winch:-  
 5b + 7b = 48048022  
 5c + 7c = 48048023  
 5b/5c/7b/7c are all assembled components NOT available separated.