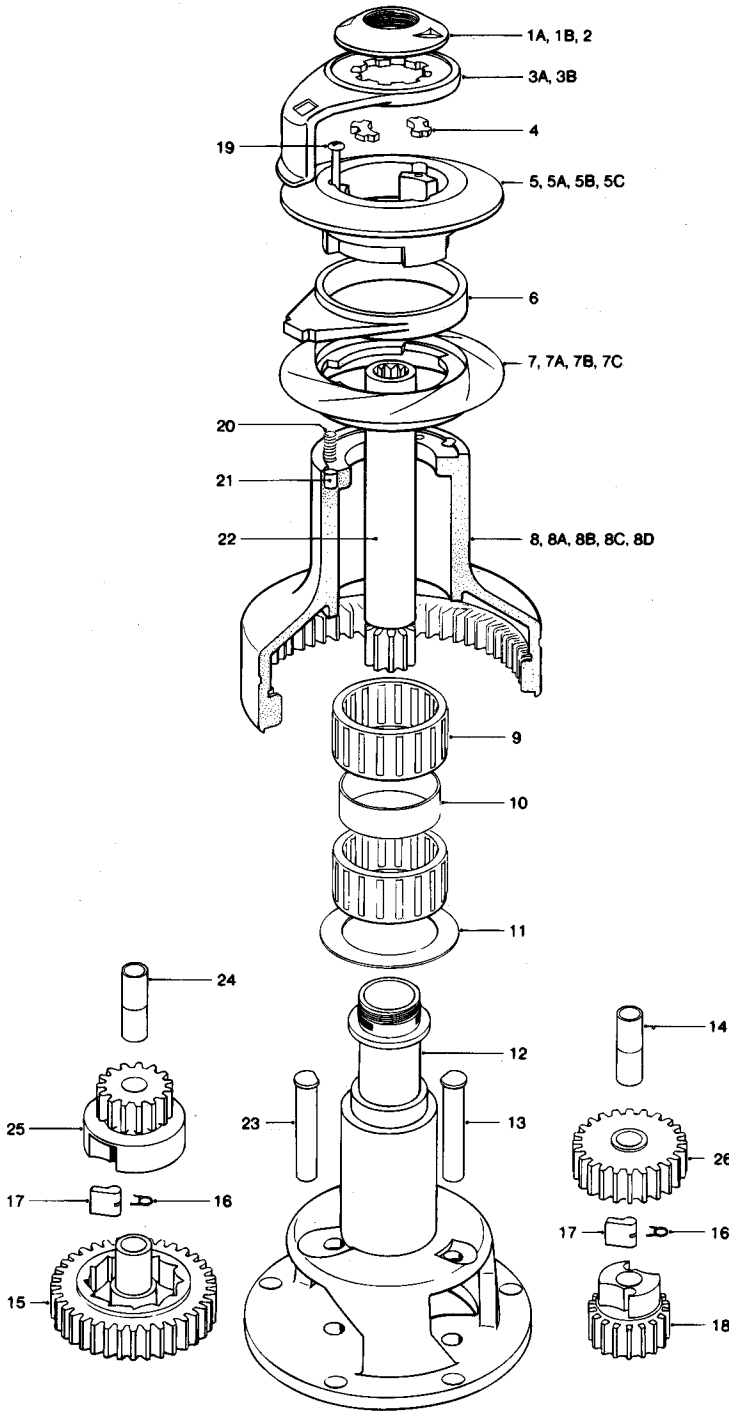


No. 44ST - 2 SPEED SELF TAILING WINCH



Item	Description	Part Number	No. Off
1a	Chrome Top Cap 44AST/44CST/44CCST	45000100	1
1b	Bronze Top Cap 44BST	45000101	1
2	'O' Ring (Fitted in Item 1a/1b)	B6061	1
3a	Chrome Feeder Arm 44AST/44CST/44CCST	45000303	1
3b	Bronze Feeder Arm 44BBST	45000304	1
4	Collet	45000102	2
5	Upper Crown (Black)	45000385	1
5a	Upper Crown (Grey) 44AST/44BST/44CST	45000305	1
5b	Bronze Upper Crown Assembly 44BBST	48044000	1
5c	Chrome Upper Crown Assembly 44CCST	48044001	1
6	Stripper Ring (Grey)	45000308	1
7	Lower Crown (Black)	45000389	1
7a	Lower Crown (Grey) 44AST/44BST/44CST	45000309	1
7b	Bronze Lower Crown Assembly 44BBST	48044005	1
7c	Chrome Lower Crown Assembly 44CCST	48044006	1
8	Drum Alloy (Black)	45000384	1
8a	Drum Alloy 44AST	45000314	1
8b	Drum Bronze 44BST/44BBST	45000316	1
8c	Drum Chrome 44CST/44CCST	45000315	1
8d	Drum Stainless Steel 44SST	45000370	1
9	Roller Bearing Assembly	15010007	2
10	Spacer	15000404	1
11	Drum Washer	15044116	1
12	Centre Stem	48044017	1
13	Gear Spindle	45000324	1
14	Gear Spindle Sleeve	15000398	2
15	Ratchet Gear	45000320	1
16	Pawl Spring	1260/7	4
17	Pawl	1260/8	4
18	Pawl Gear	15000397	1
19	M5 x 40 S/S Posidriv Pan HD Screw	B0327	3
20	Spring	45000112	6
21	Spring Cup	45000113	6
22	Main Spindle	45000318	1
23	Gear Spindle	45000323	1
24	Gear Spindle Sleeve	45000029	2
25	Pawl Gear	45000319	1
26	Ratchet Gear	45000322	1

NOTE:

Conversion kit for all bronze and all chrome winch:-

5b + 7b = 48044022

5c + 7c = 48044023

5b/5c/7b/7c are all assembled components NOT available separated.

LEWMAR®