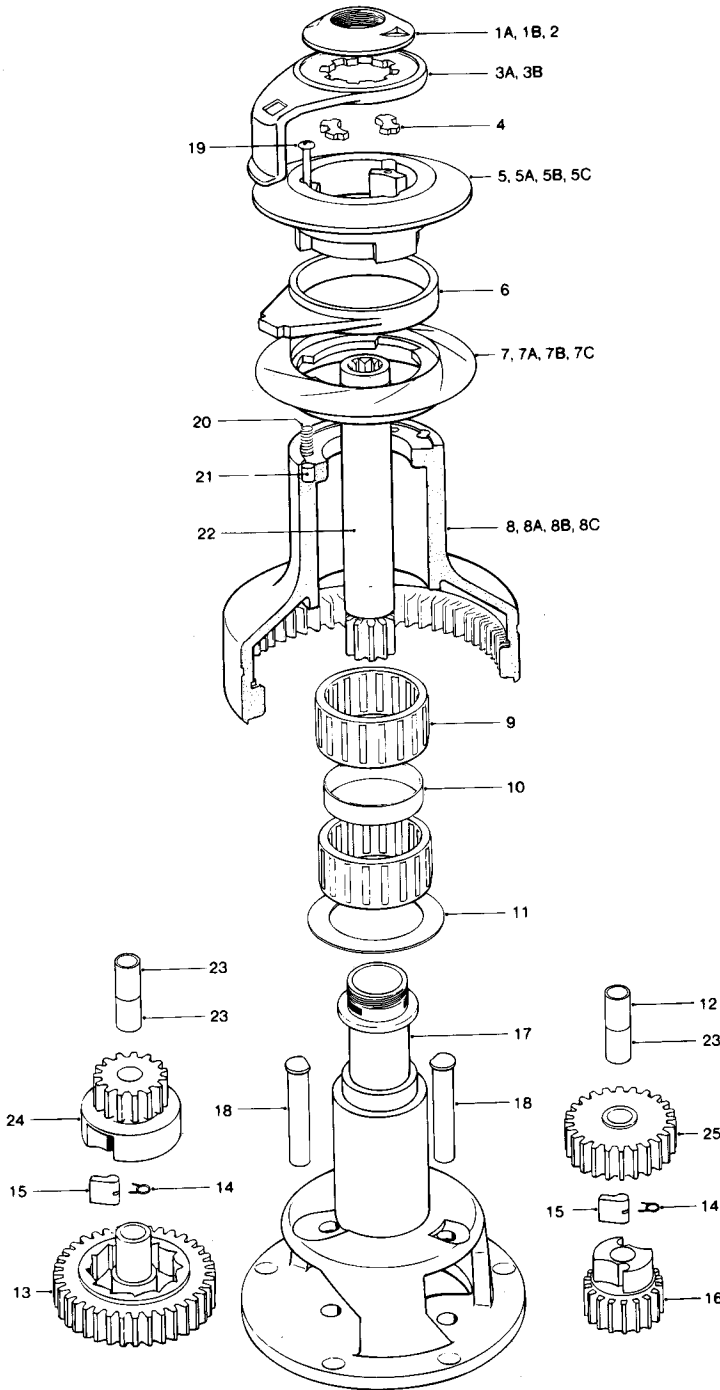


# No. 40ST - 2 SPEED SELF TAILING WINCH



Item	Description	Part Number	No. Off
1a	Chrome Top Cap 40AST/40CST/40CCST	45000100	1
1b	Bronze Top Cap 40BST/40BBST	45000101	1
2	'O' Ring (Fitted in Item 1a/1b)	B6061	1
3a	Chrome Feeder Arm 40AST/40CST/40CCST	45000203	1
3b	Bronze Feeder Arm 40BST/40BBST	45000204	1
4	Collet	45000102	2
5	Upper Crown (Black)	45000185	1
5a	Upper Crown (Grey) 40AST/40BST/40CST	45000105	1
5b	Bronze Upper Crown Assembly 40BBST	48030000	1
5c	Chrome Upper Crown Assembly 40CCST	48030001	1
6	Stripper Ring (Grey)	45000108	1
7	Lower Crown (Black)	45000189	1
7a	Lower Crown (Grey) 40AST/40BST/40CST	45000109	1
7b	Bronze Lower Crown Assembly 40BBST	48030005	1
7c	Chrome Lower Crown Assembly 40CCST	48030006	1
8	Alloy Drum (Black)	45000284	1
8a	Alloy Drum 40AST	45000214	1
8b	Bronze Drum 40BST/40BBST	45000216	1
8c	Chrome Drum 40CST/40CCST	45000215	1
8d	Stainless Steel Drum 40SST	45000270	1
9	Roller Bearing Assembly	15008007	2
10	Bearing Spacer	15000491	1
11	Drum Washer	15000466	1
12	Gear Spindle Sleeve	15000378	1
13	Ratchet Gear	45000220	1
14	Pawl Spring	1260/7	4
15	Pawl	1260/8	4
16	Pawl Gear	45000221	1
17	Centre Stem	48040017	1
18	Gear Spindle	45000123	2
19	M5 x 35 S/S Posidriv Pan HD Screw	B0337	3
20	Spring	45000112	6
21	Spring Cup	45000113	6
22	Main Spindle	45000218	1
23	Gear Spindle Sleeve	45000029	3
24	Pawl Gear	45000119	1
25	Ratchet Gear	45000222	1

**NOTE:**

Conversion kit for all bronze and all chrome winch:-

5b + 7b = 48030022

5c + 7c = 48030023

5b/5c/7b/7c are all assembled components NOT available separated.