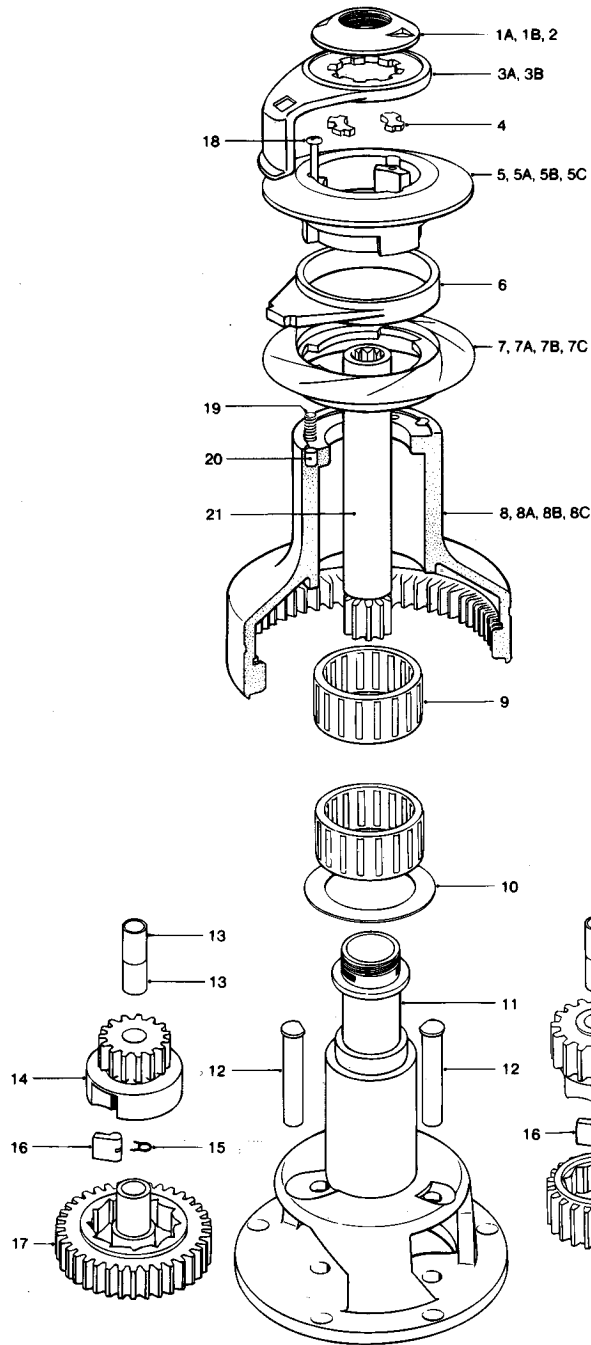


No. 30ST - 2 SPEED SELF TAILING WINCH



Item	Description	Part Number	No. Off
1a	Chromed Top Cap 30AST/30CST/30CCST	45000100	1
1b	Bronze Top Cap 30BST/30BBST	45000101	1
2	'O' Ring (Fitted in Item 1a/1b)	B6061	1
3a	Chrome Feeder Arm 30AST/30CST/30CCST	45000103	1
3b	Bronze Feeder Arm 30BST/30BBST	45000104	1
4	Collet	45000102	2
5	Upper Crown (Black)	45000185	1
5a	Upper Crown (Grey) 30AST/30BST/30CST	45000105	1
5b	Bronze Upper Crown Assembly 30BBST	48030000	1
5c	Chrome Upper Crown Assembly 30CCST	48030001	1
6	Stripper Ring (Grey)	45000108	1
7	Lower Crown (Black)	45000189	1
7a	Lower Crown (Grey) 30AST/30BST/30CST	45000109	1
7b	Bronze Lower Crown Assembly 30BBST	48030005	1
7c	Chrome Lower Crown Assembly 30CCST	48030006	1
8	Alloy Drum (Black)	45000184	1
8a	Alloy Drum 30AST	45000114	1
8b	Bronze Drum 30BST/30BBST	45000116	1
8c	Chrome Drum 30CST/30CCST	45000115	1
9	Roller Bearing Assembly	15008007	2
10	Drum Washer	15000466	1
11	Centre Stem	48030017	1
12	Gear Spindle	45000123	2
13	Gear Spindle Sleeve	45000029	3
14	Pawl Gear	45000119	1
15	Pawl Spring	1260/7	4
16	Pawl	1260/8	4
17	Ratchet Gear	45000120	1
18	M5x30 S/S Posidriv Pan HD Screw	B0326	3
19	Spring	45000112	6
20	Spring Cup	45000113	6
21	Main Spindle	45000118	1
22	Gear Spindle Sleeve	15000378	1
23	Pawl Gear	45000121	1
24	Ratchet Gear	45000122	1

NOTE:

Conversion kit for all bronze and all chrome winch:-

6b + 8b = 48030022

6c + 8c = 48030023

6b/6c/8b/8c are all assembled components NOT available separated.

LEWMAR®