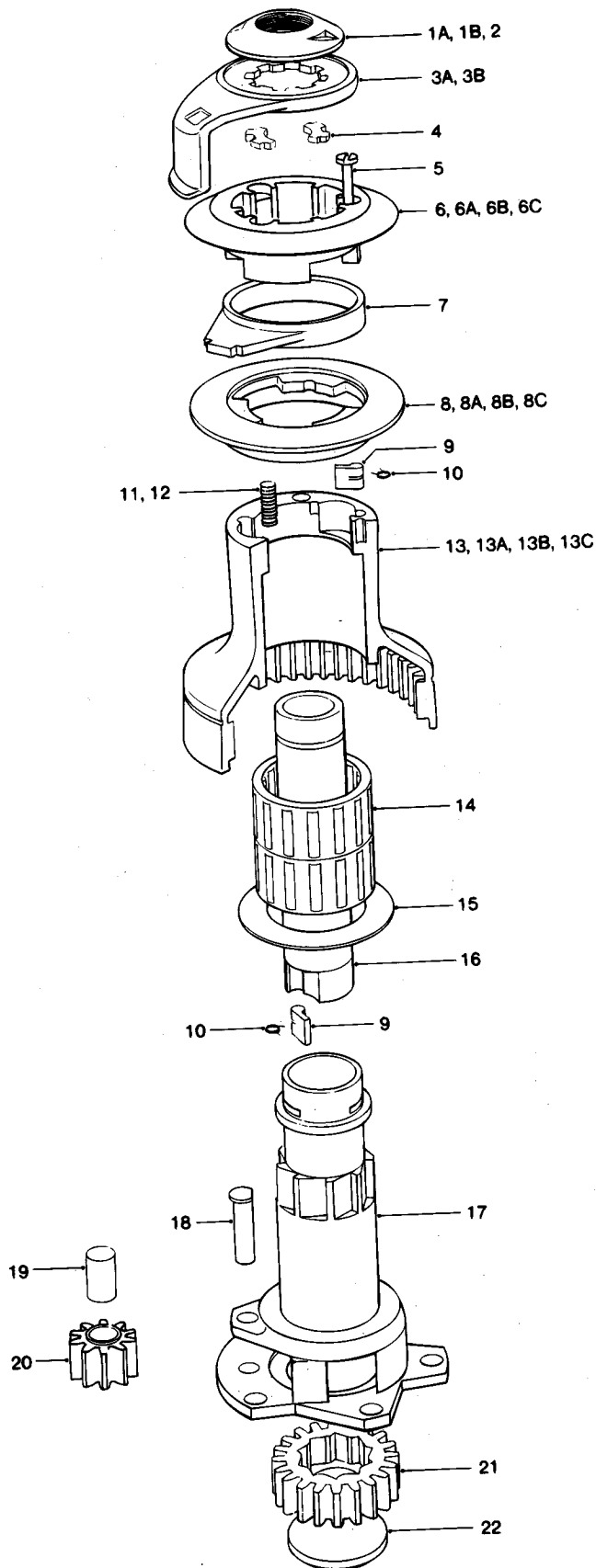


# No. 16ST - 1 SPEED SELF TAILING WINCH



Item	Description	Part Number	No. Off
1a	Chrome Top Cap 16AST/16CST/16CCST	45000000	1
1b	Bronze Top Cap 16BST/16BBST	45000001	1
2	'O' Ring (Fitted in item 1a/1b)	B6061	1
3a	Chrome Feeder Arm 16AST/16CST/16CCST	45000003	1
3b	Bronze Feeder Arm 16BST/16BBST	45000004	1
4	Collet	45000102	2
5	M5x30 S/S Posidriv Pan HD Screw	45000064	3
6	Upper Crown (Black)	45000085	1
6a	Upper Crown (Grey) 16AST/16CST/16BST	45000005	1
6b	Bronze Upper Crown Assembly 16BBST	48016000	1
6c	Chrome Upper Crown Assembly 16CCST	48016001	1
7	Stripper Ring (Grey)	45000008	1
8	Lower Crown (Black)	45000089	1
8a	Lower Crown (Grey) 16AST/16CST/16BST	45000009	1
8b	Bronze Lower Crown Assembly 16BBST	48016005	1
8c	Chrome Lower Crown Assembly 16CCST	48016006	1
9	Pawl	1260/8	5
10	Pawl Spring	1260/7	5
11	Spring	45000112	3
12	Spring Cup	45000113	3
13	Drum Alloy (Black)	45000084	1
13a	Drum Alloy 16AST	45000014	1
13b	Drum Bronze 16BST/16BBST	45000016	1
13c	Drum Chrome 16CST/16CCST	45000015	1
14	Roller Bearing Assembly	15008007	2
15	Drum Washer	15000466	1
16	Main Spindle	45000018	1
17	Centre Stem	48016017	1
18	Gear Spindle	45000023	1
19	Gear Spindle Sleeve	45000033	1
20	Idle Gear	15000827	1
21	Ratchet Gear	15000464	1
22	Gear Retainer	15000461	1

**NOTE:**  
 Conversion kit for all bronze and all chrome winch:-  
 6b + 8b = 48016022  
 6c + 8c = 48016023  
 6b/6c/8b/8c are all assembled components NOT available separated.