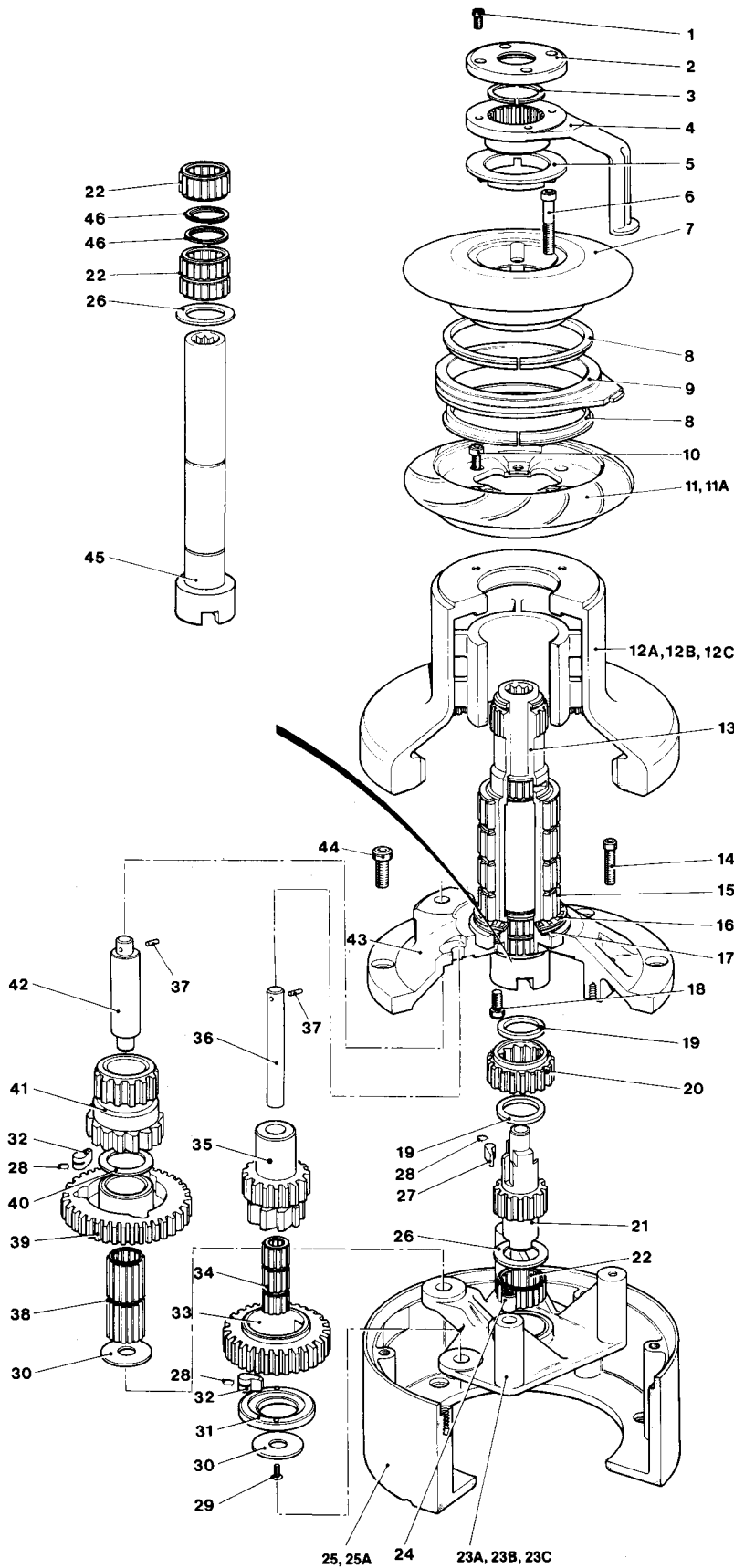


No.65ST



No. 65 2 Speed Self Tailing Winch

Item No.	Part No.	Description	No. Off
1	B 0733	Skt. Hd. Cap Screw – ¼" UNC x ⅜" Long	4
2	15044639	Top Cap	1
3	15044637	Split Collet	2
4	15065648	Stripper Arm	1
5	15044627	Flanged Bush	1
6	B 0731	Skt. Hd. Cap Screw – ¼" UNC x 1¼" Long	3
7	15065644	Upper Crown Plate	1
8	15065641	Stripper Ring Insert	2
9	15065649	Stripper Ring	1
10	B0720	Skt. Hd. Cap Screw – ¼" UNC x ¾" Long	3
11	15065645	Lower Crown Plate	1
11A	B2405	Heli-Coil Insert	3
12A	15000032	Drum – Bronze	1
12B	15000248	Drum – Alloy	1
12C	15000081	Drum – St. Steel	1
13	15000050	Centre Stem Upper	1
14	B 0698	Skt. Hd. Cap Screw – ⅝" UNC x 1½" Long	3
15	15044121	Roller Bearing	4
16	18080015	Thrust Bearing	1
17	15000082	Drum Washer	1
18	B 0730	Skt. Hd. Cap Screw – ⅝" UNC x ⅝" Long	8
19	15000303	Spacer	2
20	15000242	Ratchet Gear	1
21	15000241	Spindle Extension	1
22	15000019	Roller Bearing	4
23A	15000048	Bridge Piece	1
23B	15000053	Sleeve – Bridge Piece	1
23C	B2401	Heli – Coil Insert	3
24	15065111	Hollow Dowel	2
25	15000197	Base Alloy	1
25A	B 2408	Heli – Coil Insert	6
26	15000024	Washer	2
27	1260/8	Pawl	2
28	1260/7	Pawl Spring	7
29	B 0511	Csk. Screw – 2BA x ⅜" Long	2
30	15000247	Washer	2
31	15000023	Retaining Plate	1
32	1264/8	Pawl	5
33	15000040	Pawl Gear	1
34	15000017	Roller Bearing	3
35	15000245	Idler Gear	1
36	15000240	Gear Spindle	1
37	B 1501	Spirol Pin	2
38	15000018	Roller Bearing	2
39	15000244	Pawl Gear	1
40	15000246	Washer	1
41	15000243	Ratchet Gear	1
42	15000239	Gear Spindle	1
43	15000049	Centre Stem Lower	1
44	B 0714	Skt. Hd. Cap Screw – ⅜" UNC x ¾" Long	6
45	15000238	Main Spindle	1
46	B 2086	Circlip	2