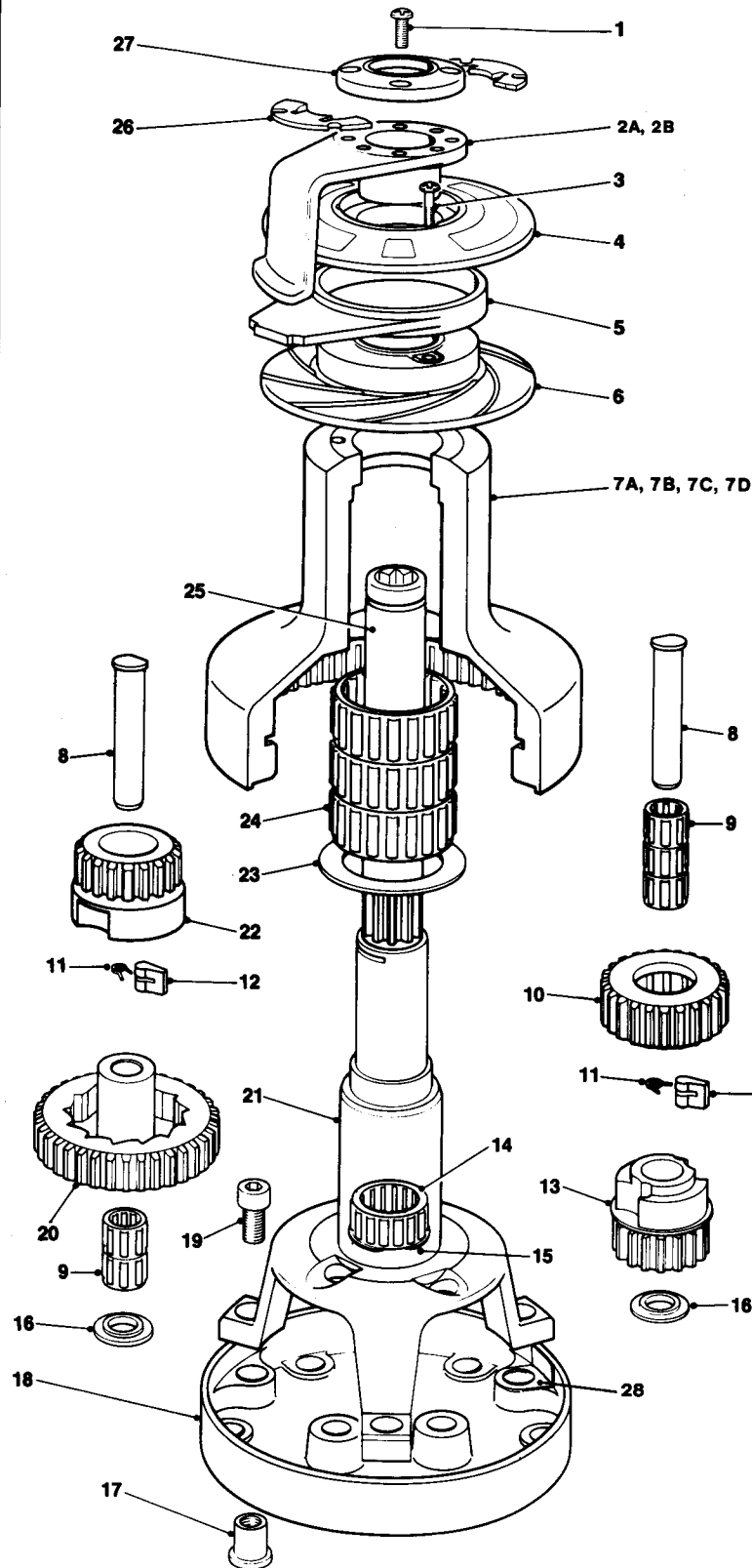


No.52/56ST



No. 52 2 Speed Self Tailing Winch

Item No.	Part No.	Description	No. Off
1	B0325	Pan Hd Pozidriv Screw M5 x 12mm Long	4
2A	15000637	Feeder Arm - Chrome	1
2B	15001028	Feeder Arm - Bronze	1
3	B0327	Pan Hd Pozidriv Screw M5 x 40mm Long	3
4	15000635	Upper Crown	1
5	15000638	Stripper Ring	1
6	15000636	Lower Crown	1
7A	15000633	Drum - Alloy	1
7B	18000095	Drum - Stainless Steel	1
7C	15000653	Drum - Chrome	1
7D	15000654	Drum - Bronze	1
8	15000645	Gear Spindle	2
9	15000017	Roller Bearing	5
10	15000627	Ratchet Gear	1
11	15000722	Pawl Spring	4
12	1264/8	Pawl	4
13	15000628	Pawl Gear	1
14	15000019	Roller Bearing	1
15	B2092	Spirolox Internal Ring	1
16	15000646	Flanged Washer	2
17	15000648	Hollow Dowel	3
18	15000634	Base	1
19	B0806	Skt Hd Csk Screw M10 x 25mm Long	3
20	15000625	Ratchet Gear	1
21	15000631	Centre Stem	1
22	15000626	Pawl Gear	1
23	15000644	Drum Washer	1
24	15044121	Roller Bearing	3
25	15000839	Main Spindle	1
26	15000387	Collet	2
27	15000379	Top Cap	1
28	15000655	Shim	3

No. 56 2 Speed Self Tailing Winch

Item No.	Part No.	Description	Quantity
1	B.0325	Pan Hd. Posidriv Screw M5 x 12mm Long	4
2A	15001099	Stripper Arm - Chrome	1
2B	15001095	Stripper Arm - Bronze	1
3	B.0339	Pan Hd. Posidriv Screw M6 x 40mm Long	3
4	15001097	Upper Crown	1
5	15001098	Stripper Ring	1
6	15001096	Lower Crown	1
7A	15001103	Drum - Alloy	1
7B	15001102	Drum - Chrome	1
7C	15001110	Drum - Bronze	1
8	15000645	Gear Spindle	2
9	15000017	Roller Bearing	5
10	15001107	Ratchet Gear	1
11	15000722	Pawl Spring	4
12	1264/8	Pawl	4
13	15001108	Pawl Gear	1
14	15000019	Roller Bearing	1
15	B.2092	Spirolox Internal Ring	1
16	15000646	Flanged Washer	2
17	15000648	Hollow Dowel	3
18	15001101	Base	1
19	B.0806	Skt. Hd. Cask Screw M10 x 25mm Long	3
20	15001105	Ratchet Gear	1
21	15001100	Centre Stem	1
22	15001106	Pawl Gear	1
23	15000644	Drum Washer	1
24	15044121	Roller Bearing	3
25	15001109	Spindle Assembly	1
26	15000387	Collet	2
27	15000379	Top Cap	1
28	15000655	Shim	3