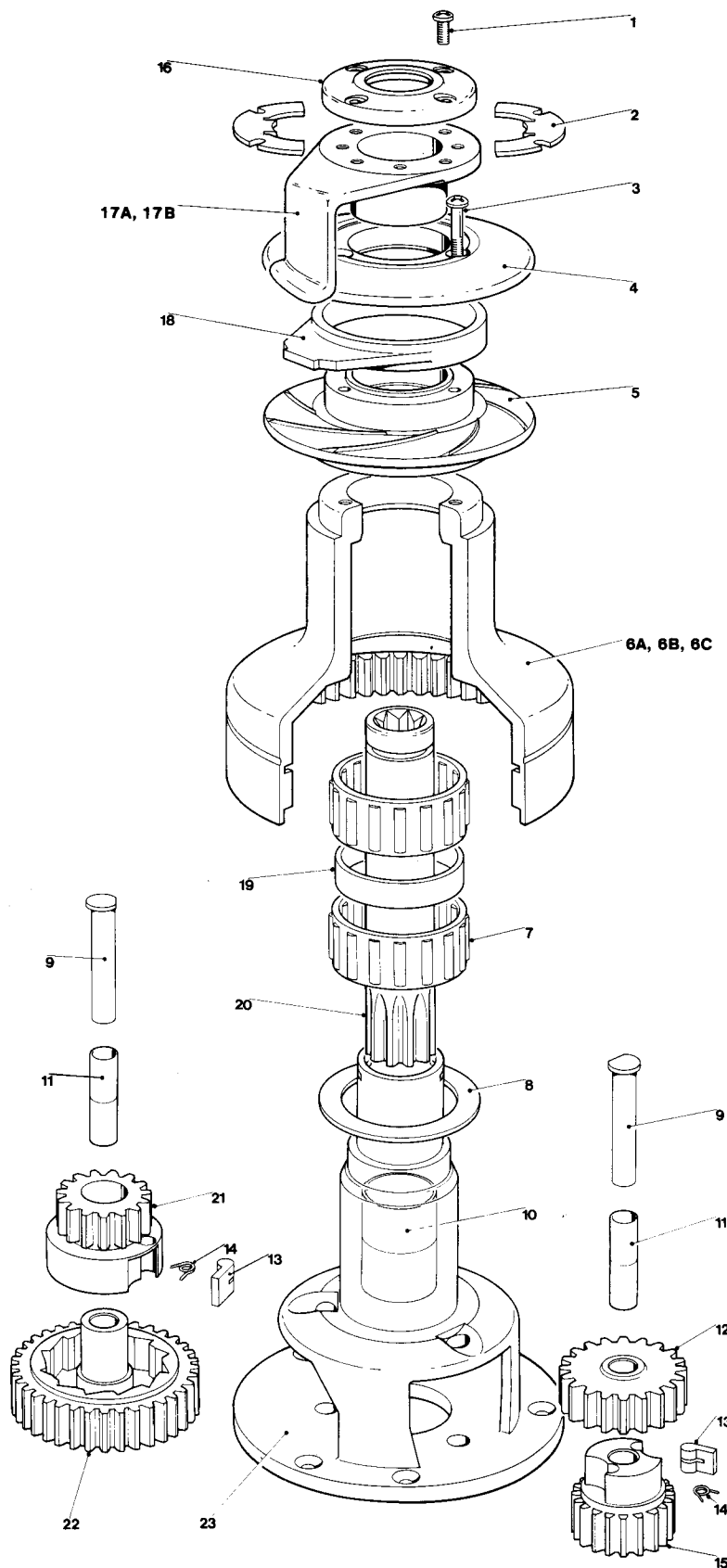


# Nos.43/46ST



## No. 43 2 Speed Self Tailing Winch

Item No.	Part No.	Description	No. Off
1	B0325	Pan Hd Posidriv Screw M5 x 12mm Long	4
2	15000387	Collet	2
3	B0325	Pan Hd Posidriv M5 x 40mm	3
4	15000414	Upper Crown	1
5	15000415	Lower Crown	1
6A	15000410	Drum - Chrome	1
6B	15000411	Drum - Alloy	1
6C	15000666	Drum - Bronze	1
7	1501007	Roller Bearing	2
8	15034638	Drum Washer	1
9	15000422	Gear Spindle	2
10	15000377	Main Spindle Sleeve Fitted with Item 23	2
11	15000398	Gear Spindle Sleeve	4
12	15000418	Ratchet Gear	1
13	1260/8	Pawl	4
14	1260/7	Spring	4
15	15000397	Pawl Gear	1
16	15000379	Top Cap	1
17A	15000412	Feeder Arm - Chrome	1
17B	15000673	Feeder Arm - Bronze	1
18	15000413	Stripper Ring	1
19	15010008	Spacer	1
20	15000837	Main Spindle	1
21	15000419	Pawl Gear	1
22	15000417	Ratchet Gear	1
23	15000408	Centre Stem	1

## No. 46 2 Speed Self Tailing Winch

Item No.	Part No.	Description	No. Off
1	B0325	Pan Hd. Posidriv Screw M5 x 12mm Long	4
2	15000387	Collet	2
3	B0327	Pan Hd. Posidriv M5 x 40mm	3
4	15000403	Upper Crown	1
5	15000402	Lower Crown	1
6A	15000391	Drum - Chrome	1
6B	15000392	Drum - Alloy	1
6C	15000667	Drum - Bronze	1
7	15044121	Roller Bearing	2
8	15044116	Drum Washer	1
9	15000394	Gear Spindle	2
10	15000377	Main Spindle Sleeve Fitted with Item 23	3
11	15000398	Gear Spindle Sleeve	4
12	15000396	Ratchet Gear	1
13	1260/8	Pawl	4
14	1260/7	Pawl Spring	4
15	15000397	Pawl Gear	1
16	15000379	Top Cap	1
17A	15000389	Feeder Arm - Chrome	1
17B	15000674	Feeder Arm - Bronze	1
18	15000390	Stripper Ring	1
19	15000404	Spacer	1
20	15000838	Main Spindle	1
21	15000393	Pawl Gear	1
22	15000395	Ratchet Gear	1
23	15000399	Centre Stem	1