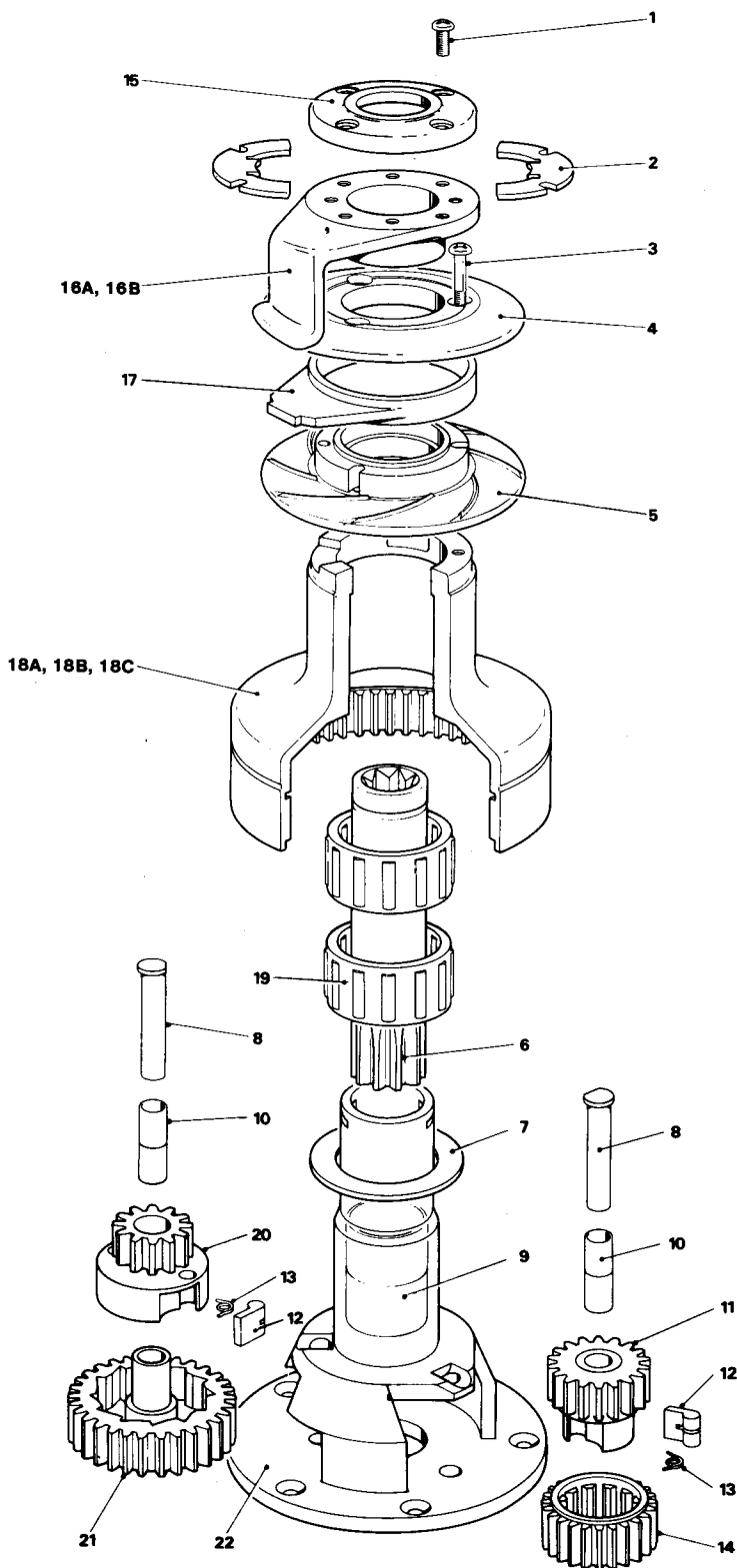


No.30ST



No. 30 2 Speed Self Tailing Winch

| Item No. | Part No. | Description | No. Off |
|----------|----------|--|---------|
| 1 | B0325 | Pan Hd Posidriv Screw M5 x 12mm Long | 4 |
| 2 | 15000387 | Collet | 2 |
| 3 | B0326 | Pan Hd Posidriv Screw M5 x 30mm Long | 3 |
| 4 | 15000372 | Upper Crown | 1 |
| 5 | 15000373 | Lower Crown | 1 |
| 6 | 15000835 | Spindle | 1 |
| 7 | 15000466 | Drum Washer | 1 |
| 8 | 15000385 | Gear Spindle | 2 |
| 9 | 15000377 | Main Spindle Sleeve | 2 |
| 9 | 15000377 | Main Spindle Sleeve Fitted to Item 22 | 2 |
| 10 | 15000378 | Gear Spindle Sleeve | 4 |
| 11 | 15000383 | Pawl Gear | 1 |
| 12 | 1260/8 | Pawl | 4 |
| 13 | 1260/7 | Pawl Spring | 4 |
| 14 | 15000381 | Ratchet Gear | 1 |
| 15 | 15000379 | Top Cap | 1 |
| 16A | 15000371 | Feeder Arm - Chrome | 1 |
| 16B | 15000672 | Feeder Arm - Bronze | 1 |
| 17 | 15000375 | Stripper Ring | 1 |
| 18A | 15000384 | Drum - Chrome | 1 |
| 18B | 15000370 | Drum - Alloy | 1 |
| 18C | 15000669 | Drum - Bronze | 1 |
| 19 | 15008007 | Roller Bearing | 2 |
| 20 | 15000382 | Pawl Gear | 1 |
| 21 | 15000380 | Ratchet Gear | 1 |
| 22 | 15000365 | Centre Stem | 1 |