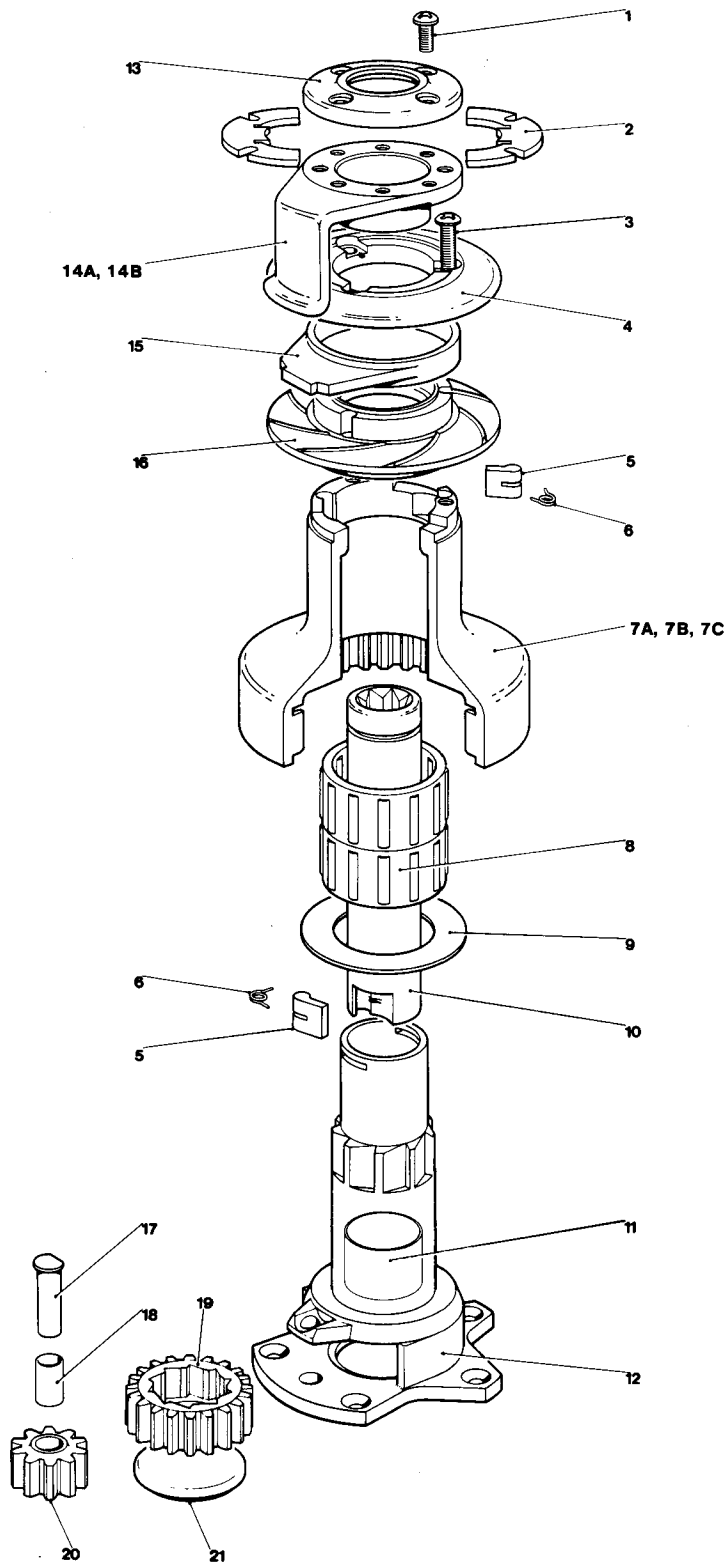


No.16ST



No. 16 1 Speed Self Tailing Winch

Item No.	Part No.	Description	No. Off
1	B0325	Pan Hd Posidriv Screw M5 x 12mm Long	4
2	15000387	Collet	2
3	15000532	Pan Hd Posidriv Screw M5 x 30mm Long	3
4	15000456	Upper Crown	1
5	1260/8	Pawl	5
6	1260/7	Pawl Spring	5
7A	15000451	Drum -	1
7B	15000452	Drum - Alloy	1
7C	15000668	Drum - Bronze	1
8	15008007	Roller Bearing	2
9	15000466	Drum Washer	1
10	15000462	Spindle	1
11	15000377	Main Spindle Sleeve Fitted to Item 12	1
12	15000449	Centre Stem	1
13	15000460	Top Cap	1
14A	15000458	Feeder Arm - Chrome	1
14B	15000671	Feeder Arm - Bronze	1
15	15000459	Stripper Ring	1
16	15000455	Lower Crown	1
17	15000463	Gear Spindle	1
18	15000133	Gear Spindle Sleeve	1
19	15000464	Ratchet Gear	1
20	15000827	Idler Gear	1
21	15000461	Gear Retainer	1