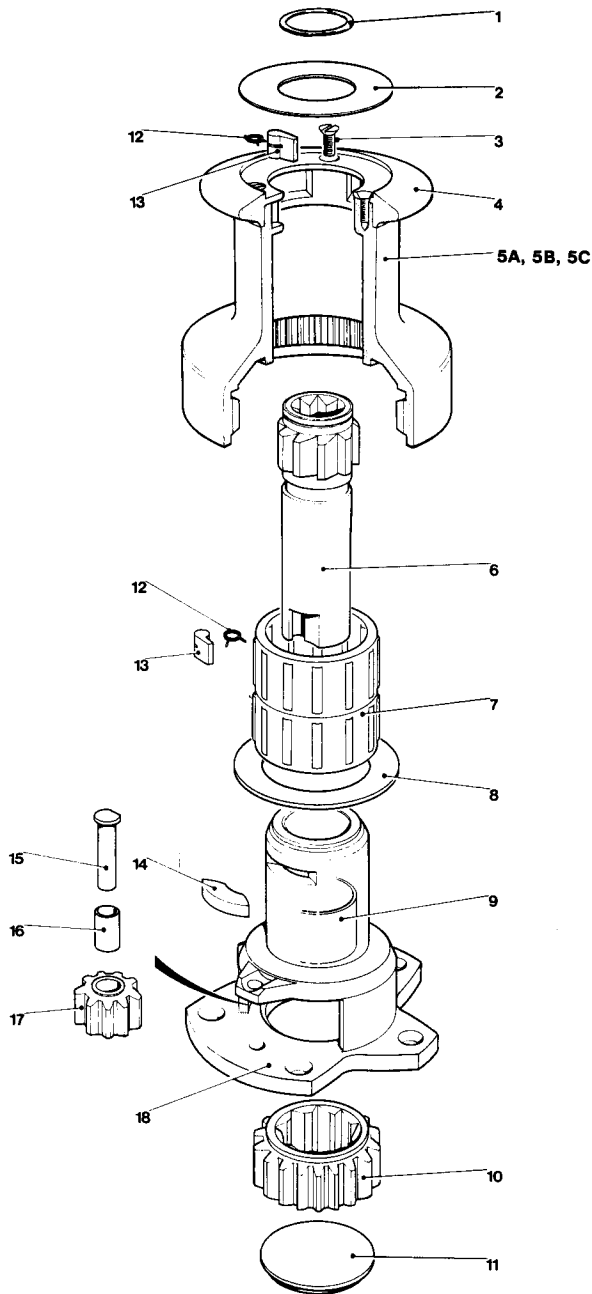


No.16



No. 16 2 Speed Winch

Item No.	Part No.	Description	No. Off
1	B2075	Circlip	1
2	15000478	Top Cap	1
3	15000527	Csk Hd Posidriv Screw M5 x 12mm Long	3
4	15000457	Crown	1
5A	15000453	Drum - Chrome	1
5B	15000454	Drum - Alloy	1
5C	15000662	Drum - Bronze	1
6	15000829	Spindle Assy.	1
7	15008007	Roller Bearing	2
8	15000466	Drum Washer	1
9	15000377	Main Spindle Sleeve Fitted to Item 18	1
10	15000464	Ratchet Gear	1
11	15000461	Gear Retainer	1
12	1260/7	Pawl Spring	4
13	1260/8	Pawl	4
14	15008005	Key	1
15	15000463	Idler Spindle	1
16	15000133	Gear Spindle Sleeve	1
17	15000827	Idler Gear	1
18	15000450	Centre Stem	1