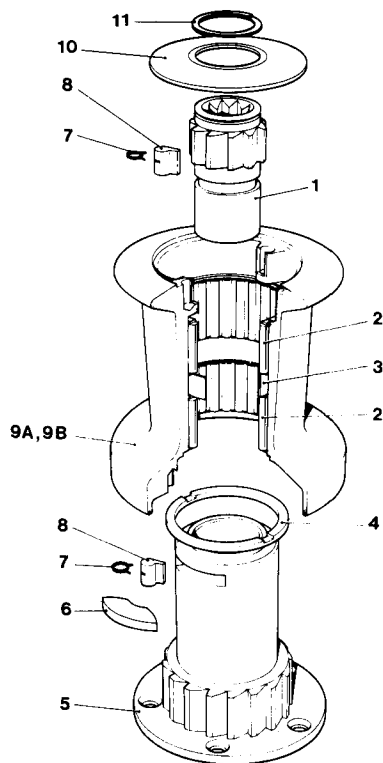
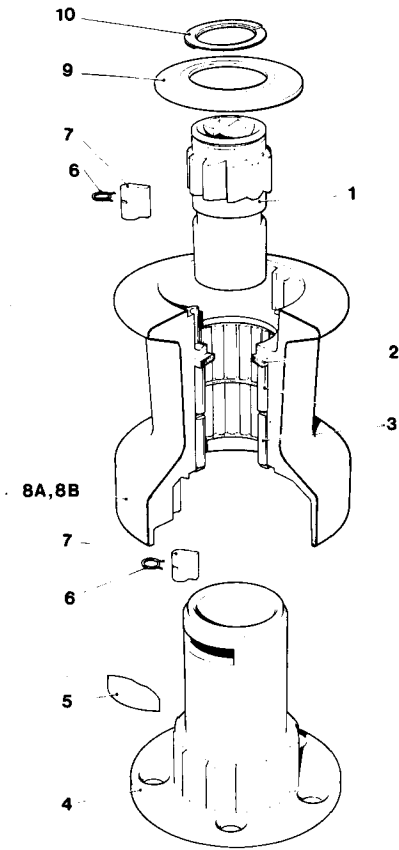


Nos. 8/10



No. 8 Single Speed Winch

Item No.	Part No.	Description	No. Off
1	15008003	Spindle	1
2	15008004	Drum Washer	1
3	15008007	Roller Bearing	2
4	15008001	Centre Stem	1
5	15008005	Key	1
6	1260/7	Pawl Spring	4
7	1260/8	Pawl	4
8A	15008102	Drum - Bronze	1
8B	15008202	Drum - Alloy	1
9	18000050	Top Cap	1
10	B.2075	Circlip	1

No. 10 Single Speed Winch

Item No.	Part No.	Description	No. Off
1	15008003	Spindle	1
2	15010007	Roller Bearing	2
3	15010008	Spacer	1
4	15010004	Drum Washer	1
5	15000227	Centre Stem	1
6	15010005	Key	1
7	1260/7	Pawl Spring	4
8	1260/8	Pawl	4
9A	15010102	Drum - Bronze	1
9B	15010202	Drum - Alloy	1
10	18000053	Top Cap	1
11	B.2075	Circlip	1