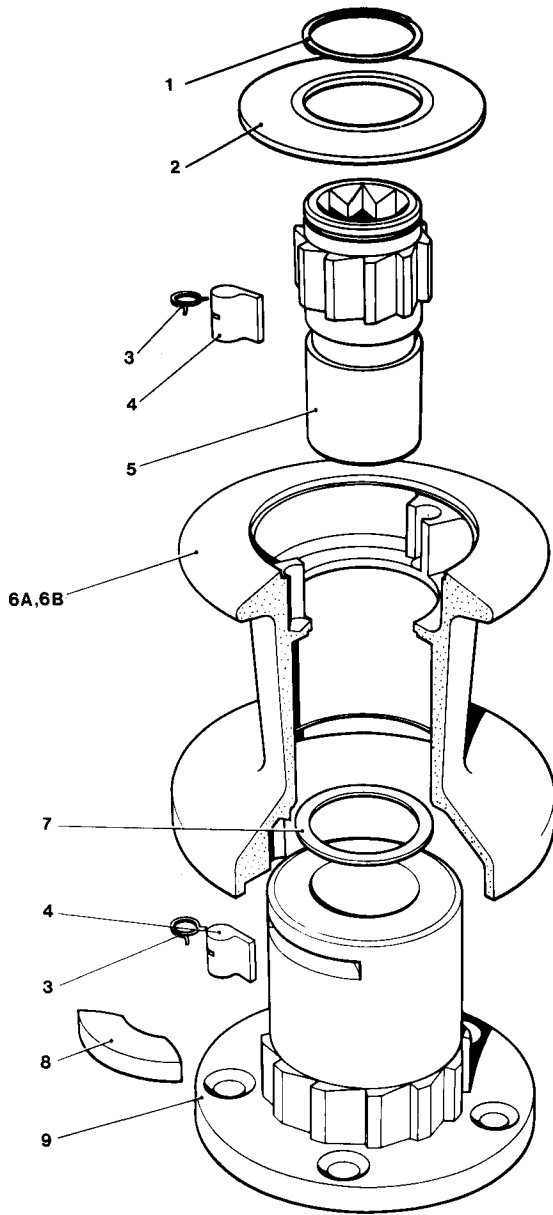


Nos. 6/7



No. 6 Single Speed Winch			
Item No.	Part No.	Description	No. Off
1	B.2075	Circlip	1
2	18000048	Top Cap	1
3	1260/7	Pawl Spring	4
4	1260/8	Pawl	4
5	15000148	Spindle	1
6A	15006102	Drum - Bronze	1
6B	15006202	Drum - Alloy	1
7	15006004	Washer	1
8	15006005	Key	1
9	15000144	Centre Stem	1

No. 7 Single Speed Winch			
Item No.	Part No.	Description	No. Off
1	B.2075	Circlip	1
2	18000049	Top Cap	1
3	1260/7	Pawl Spring	4
4	1260/8	Pawl	4
5	15000148	Spindle	1
6A	15008102	Drum - Bronze	1
6B	15008202	Drum - Alloy	1
7	15006004	Washer	1
8	15010005	Key	1
9	15000143	Centre Stem	1

No. 6a Bottom Action Winch

Schedule as above except:-

Item No.	Part No.	Description	No. Off
5	15000146	Spindle	1
9	15000179	Centre Stem	1
10	15006007	Handle	1
11	15006008	Base	1
12	15006010	Plug	1

No. 7a Bottom Action Winch

Schedule as above except:-

Item No.	Part No.	Description	No. Off
5	15000147	Spindle	1
9	15000143	Centre Stem	1
10	15006007	Handle	1
11	15007008	Base	1
12	15006010	Plug	1