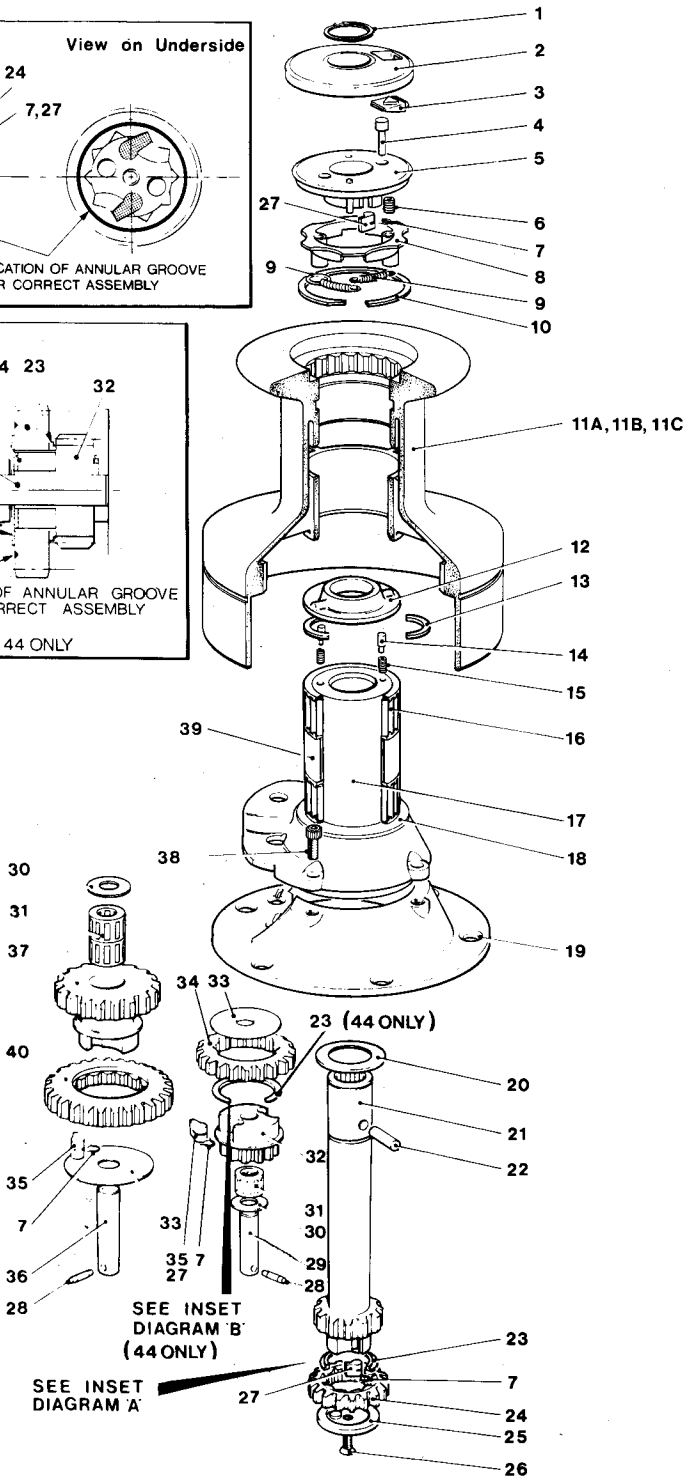
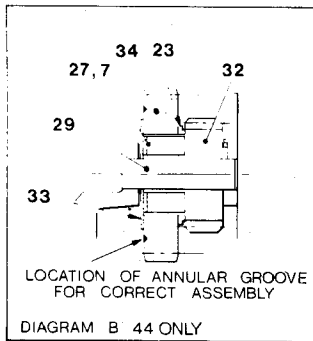
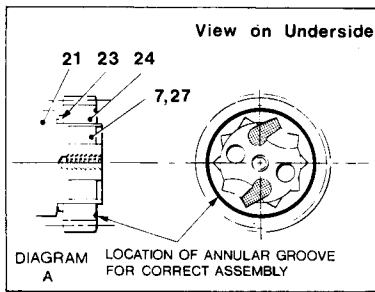


Nos. 44/48



No. 44 Push Button 3 Speed Winch

| Item No. | Part No. | Description | No. Off |
|----------|----------|---|---------|
| 1 | B.2075 | Circlip | 1 |
| 2 | 15044117 | Top Cap Cover | 1 |
| 3 | 15044114 | Push Button | 1 |
| 4 | 15044111 | Plunger | 1 |
| 5 | 15044104 | Top Cap Assembly | 1 |
| 6 | 15044112 | Spring | 1 |
| 7 | 1260/7 | Pawl Spring | 8 |
| 8 | 15044106 | Closing Ring | 1 |
| 9 | 15044115 | Spring - Anchor Pin | 2 |
| | 15044113 | Spring | |
| 10 | B.2083 | Circlip | 1 |
| 11A | 15044102 | Drum - Bronze | 1 |
| 11B | 15044202 | Drum - Alloy | 1 |
| 11C | 15044302 | Drum - St. Steel | 1 |
| 12 | 15044105 | Clutch Plate | 1 |
| 13 | 15044118 | Collet | 2 |
| 14 | 15137203 | Plunger | 2 |
| 15 | 15137204 | Spring | 2 |
| 16 | 15044121 | Roller Bearing | 2 |
| 17 | 15000008 | Centre Stem - Upper | 1 |
| 18 | 15044116 | Drum - Washer | 1 |
| 19 | 15000009 | Centre Stem - Lower | 1 |
| 21 | 15044103 | Spindle | 1 |
| 22 | 15044119 | Drive Pin | 1 |
| 23 | 15025107 | Spacer | 2 |
| 24 | 15016015 | Ratchet Gear | 1 |
| 25 | 15016107 | Spindle End Cap | 1 |
| 26 | B.0515 | C'sk. Screw - 1/4" UNC X 1/2" Long | 1 |
| 27 | 1260/8 | Pawl | 8 |
| 28 | B.1516 | Spirol Pin | 2 |
| 29 | 15000010 | Gear Spindle | 1 |
| 32 | 15025105 | Pawl Gear | 1 |
| 33 | 15025106 | Washer | 2 |
| 34 | 15041105 | Ratchet Gear | 1 |
| 36 | 15000011 | Gear Spindle | 1 |
| 37 | 15044107 | Pawl Gear | 1 |
| 38 | B.0719 | Skt. Hd. Cap Screw - 5/8" UNC X 3/4" Long | 4 |
| 39 | 15065115 | Spacer (44 Winch only) | 1 |
| 40 | 15016105 | Ratchet Gear | 1 |

No. 48 Push Button 3 Speed Winch

| Item No. | Part No. | Description | No. Off |
|----------|----------------|---|---------|
| 1 | B.2075 | Circlip | 1 |
| 2 | 15048106 | Top Cap Cover | 1 |
| 3-10 | As 44 Schedule | | |
| 11A | 15048102 | Drum - Bronze | 1 |
| 11B | 15048202 | Drum - Alloy | 1 |
| 11C | 15048302 | Drum - St. Steel | 1 |
| 12-15 | As 44 Schedule | | |
| 16 | 15044121 | Roller Bearing | 3 |
| 17 | 15000013 | Centre Stem - Upper | 1 |
| 18 | 15044116 | Drum - Washer | 1 |
| 19 | 15000014 | Centre Stem - Lower | 1 |
| 20 | 1300/21 | Washer | 1 |
| 21 | 15048103 | Spindle | 1 |
| 22 | 15044119 | Drive Pin | 1 |
| 23 | 15025107 | Spacer | 1 |
| 24 | 15048104 | Ratchet Gear | 1 |
| 25 | 15016107 | Spindle End Cap | 1 |
| 26 | B.0515 | C'sk. Screw - 1/4" UNC X 1/2" Long | 1 |
| 27 | 1260/8 | Pawl | 4 |
| 28 | B.1516 | Spirol Pin | 2 |
| 29 | 15000016 | Gear Spindle | 1 |
| 30 | 1300/22 | Washer | 2 |
| 31 | 1300/SA2 | Roller Bearing | 3 |
| 32 | 1300/8 | Pawl Gear | 1 |
| 33 | 1264/7 | Washer | 2 |
| 34 | 1300/7 | Ratchet Gear | 1 |
| 35 | 1264/8 | Pawl | 4 |
| 36 | 15000015 | Gear Spindle | 1 |
| 37 | 1300/6 | Pawl Gear | 1 |
| 38 | B.0719 | Skt. Hd. Cap Screw - 5/8" UNC X 3/4" Long | 4 |
| 40 | 1300/5 | Ratchet Gear | 1 |