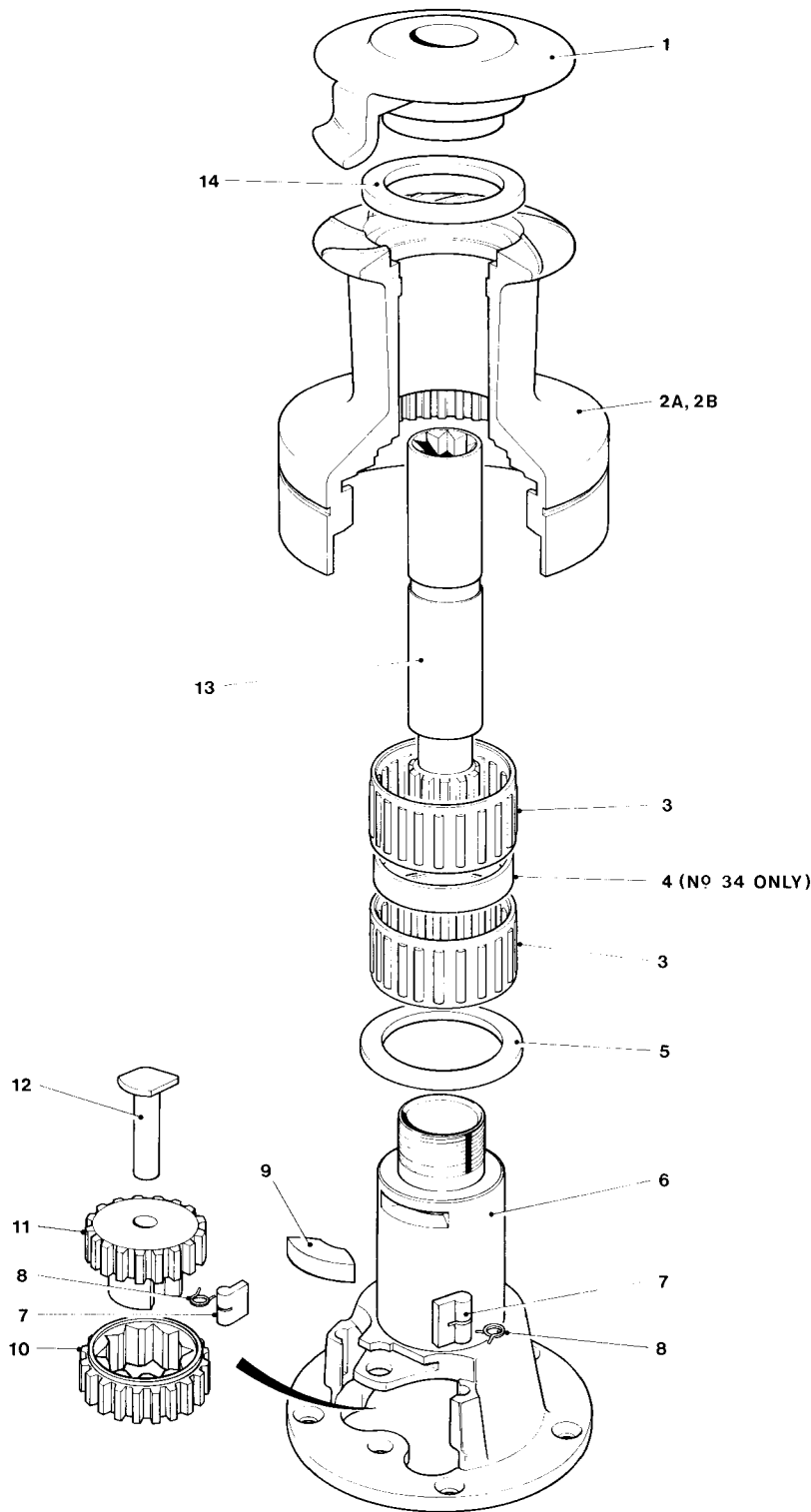


Nos. 30ST/34ST



No. 30 Self Tailing Winch

Item No.	Part No.	Description	No. Off
1	15030604	Stripper Nut/Top Cap	1
2A	15030402	Drum – Bronze	1
2B	15030502	Drum – Alloy	1
3	15008007	Roller Bearing	2
5	15030007	Drum Washer	1
6	15000190	Centre Stem	1
7	1260/8	Pawl	4
8	1260/7	Pawl Spring	4
9	15008005	Key	1
10	15030005	Ratchet Gear	1
11	15030006	Pawl Gear	1
12	15000129	Gear Spindle	1
13	15030603	Spindle	1
14	15030607	Washer	1

No. 34 Self Tailing Winch

Item No.	Part No.	Description	No. Off
1	15034634	Stripper Nut/Top Cap	1
2A	15034432	Drum – Bronze	1
2B	15034532	Drum – Alloy	1
3	15010007	Roller Bearing	2
4	15010008	Spacer	1
5	15034638	Drum Washer	1
6	15000180	Centre Stem	1
7	1260/8	Pawl	4
8	1260/7	Pawl Spring	4
9	15010005	Key	1
10	15034635	Ratchet Gear	1
11	15034636	Pawl Gear	1
12	15000129	Gear Spindle	1
13	15034633	Spindle	1
14	15034637	Washer	1