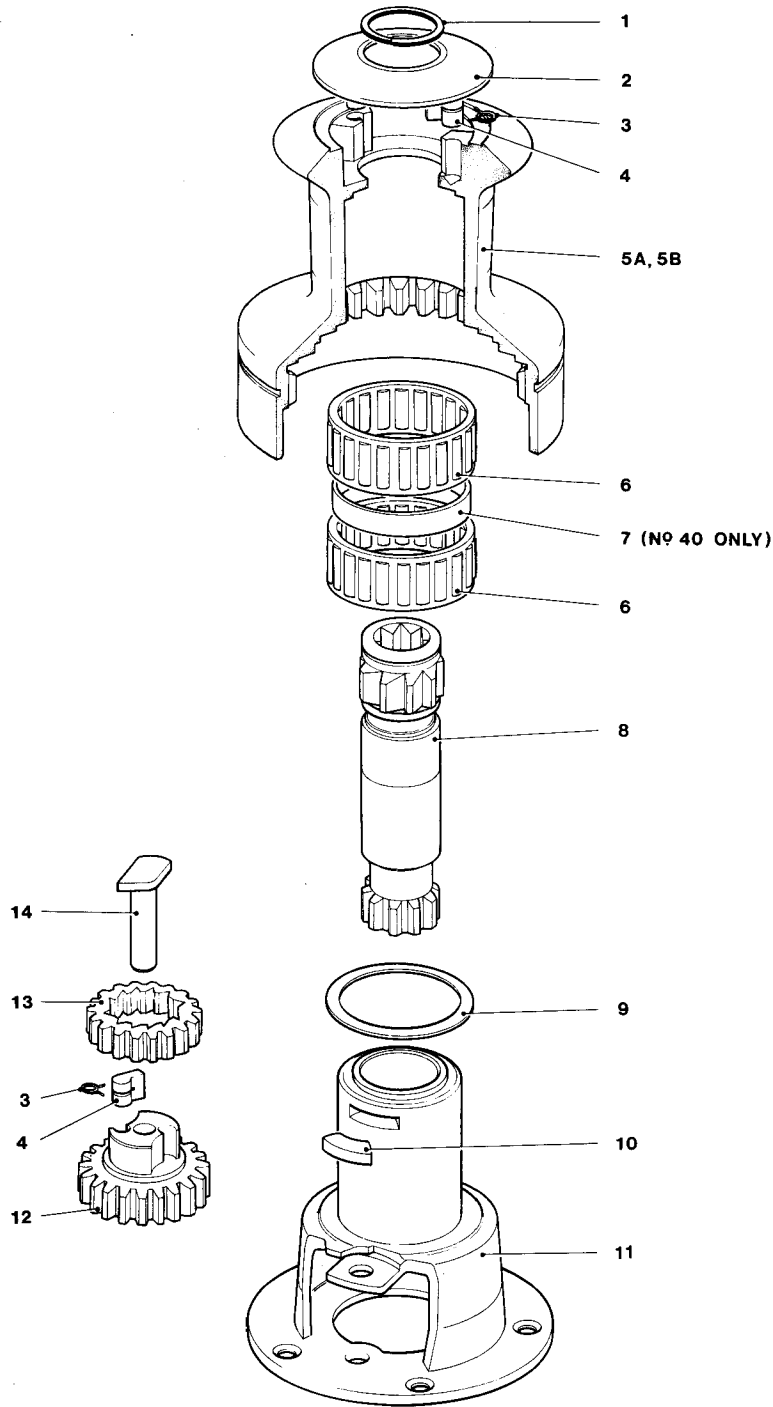


Nos. 24/30/40



No. 24 Winch

| Item No. | Part No. | Description | No. Off |
|----------|----------|------------------|---------|
| 1 | B.2075 | Circlip | 1 |
| 2 | 18000052 | Top Cap | 1 |
| 3 | 1260/8 | Pawl | 4 |
| 4 | 1260/7 | Pawl Spring | 4 |
| 5A | 15000118 | Drum - Bronze | 1 |
| 5B | 15000122 | Drum - Alloy | 1 |
| 6 | 15008007 | Roller Bearing | 2 |
| 8 | 18000005 | Spindle Assembly | 1 |
| 9 | 15008004 | Drum Washer | 1 |
| 10 | 15008005 | Key | 1 |
| 11 | 15000116 | Centre Stem | 1 |
| 12 | 15000120 | Pawl Gear | 1 |
| 13 | 15030005 | Ratchet Gear | 1 |
| 14 | 15000129 | Gear Spindle | 1 |

No. 30 Winch

| Item No. | Part No. | Description | No. Off |
|----------|----------|------------------|---------|
| 1 | B.2075 | Circlip | 1 |
| 2 | 18000054 | Top Cap | 1 |
| 3 | 1260/7 | Pawl Spring | 4 |
| 4 | 1260/8 | Pawl | 4 |
| 5A | 15030102 | Drum - Bronze | 1 |
| 5B | 15030202 | Drum - Alloy | 1 |
| 6 | 15008007 | Roller Bearing | 2 |
| 8 | 18030003 | Spindle Assembly | 1 |
| 9 | 15030007 | Drum Washer | 1 |
| 10 | 15008005 | Key | 1 |
| 11 | 15000126 | Centre Stem | 1 |
| 12 | 15030006 | Pawl Gear | 1 |
| 13 | 15030005 | Ratchet Gear | 1 |
| 14 | 15000129 | Gear Spindle | 1 |

No. 40 Winch - 2 Speed

| Item No. | Part No. | Description | No. Off |
|----------|----------|------------------|---------|
| 1 | B.2075 | Circlip | 1 |
| 2 | 18000055 | Top Cap | 1 |
| 3 | 1260/7 | Pawl Spring | 4 |
| 4 | 1260/8 | Pawl | 4 |
| 5A | 15000002 | Drum - Bronze | 1 |
| 5B | 15000003 | Drum - Alloy | 1 |
| 6 | 15010007 | Roller Bearing | 2 |
| 7 | 15010008 | Spacer | 1 |
| 8 | 18040001 | Spindle Assembly | 1 |
| 9 | 15034638 | Drum Washer | 1 |
| 10 | 15010005 | Key | 1 |
| 11 | 15000174 | Centre Stem | 1 |
| 12 | 15000106 | Pawl Gear | 1 |
| 13 | 15000107 | Ratchet Gear | 1 |
| 14 | 15000129 | Gear Spindle | 1 |