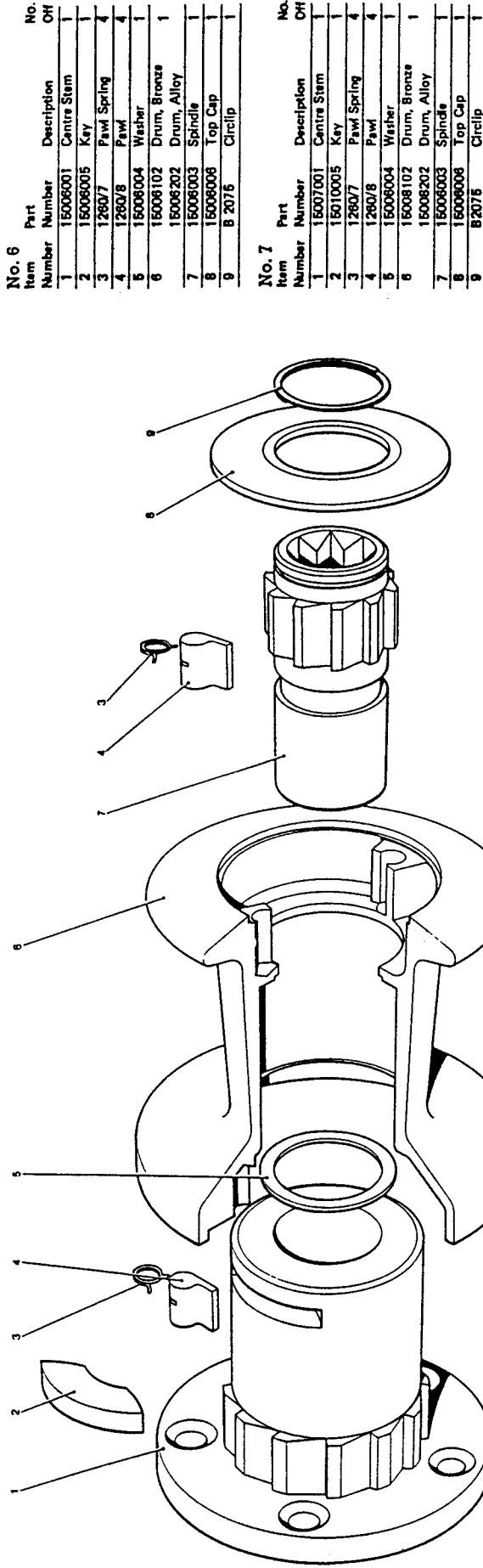


Lewmar

Single speed winches

Nos. 6 and 7

Parts list



No. 6	Part	Description	No. Off
1	15006001	Centre Stem	1
2	15006005	Key	1
3	1260/7	Pawl Spring	4
4	1260/8	Pawl	4
5	15006004	Washer	1
6	15006102	Drum, Bronze	1
7	15006202	Drum, Alloy	1
8	15006008	Top Cap	1
9	B 2075	Circlip	1

No. 7	Part	Description	No. Off
1	15007001	Centre Stem	1
2	15010005	Key	1
3	1260/7	Pawl Spring	4
4	1260/8	Pawl	4
5	15006004	Washer	1
6	15008102	Drum, Bronze	1
7	15008202	Drum, Alloy	1
8	15006008	Top Cap	1
9	B 2075	Circlip	1

Maintenance Nos. 6 & 7
A Remove circlip (9) using a small screwdriver or knife blade. Use a spiral motion to remove from groove.
B Lift drum (6) and cover plate (8) from centre stem (1).
C Remove cover plate (8) from drum (6).
D Clean off excess grease and salt deposits from bearing surface of drum (6) and centre stem (1).
E Check free operation of pawls (4) in upper and lower parts of drum (6).
F Check free rotation of spindle (7) in centre stem (1).
G If satisfactory proceed with routine maintenance. If not continue with FULL SERVICE PROCEDURE.
H Lightly grease the bore of the drum (6) and the bearing surface of centre stem (1).
I Lightly oil the pawls.
J Lightly oil the centre spindle (7).
K Re-assemble drum (6) to centre stem (1) by introducing drum over centre spindle and turning clock-wise to engage lower pawls. Hold upper pawls

out with fingers to finally lower drum into position.
L Rotate drum (6) to check freedom of pawl movement and correct engagement.
M Rotate spindle (1) to check complete engagement of top pawls.
N Replace top cap.
O Replace circlip (9) by entering one end into groove and winding circlip into position.
P Using handle check free operation of winch and correct engagement of pawls.
Full Annual Service
P Dismantle as per steps A - C.
Q Remove four pawls (4) and pawl springs (3) from the winch drum (6).
R Remove spindle retaining key (2) from centre stem (1) with small screwdriver or knife blade.
S Remove spindle (7) and washer (5) from centre stem (1).
T Carefully wash drum, centre stem, spindle washer, pawls springs and spindle key.
U Lightly grease drum bore, centre stem bearing area, spindle.
V Assemble spindle (7) to centre stem (1) with washer (5) in position. Replace spindle retaining key (2).

W Replace four pawls (4) and four springs (3) in drum, and lightly oil.
X Complete reassembly and testing as points K - O.
Y If winch fails to perform correctly re-check servicing technique or contact your nearest Lewmar service point.

Spare Parts Kits
Model 6
Part No 19706400
Contents
 1 x Key Pt No 15006005
 4 x Spring Pt No 1260/7
 4 x Pawl Pt No 1260/8
 1 x Circlip Pt No B2075
Model 7
Part No 19707400
Contents
 1 x Key Pt No 15010005
 4 x Spring Pt No 1260/7
 4 x Pawl Pt No 1260/8
 1 x Circlip Pt No B2075