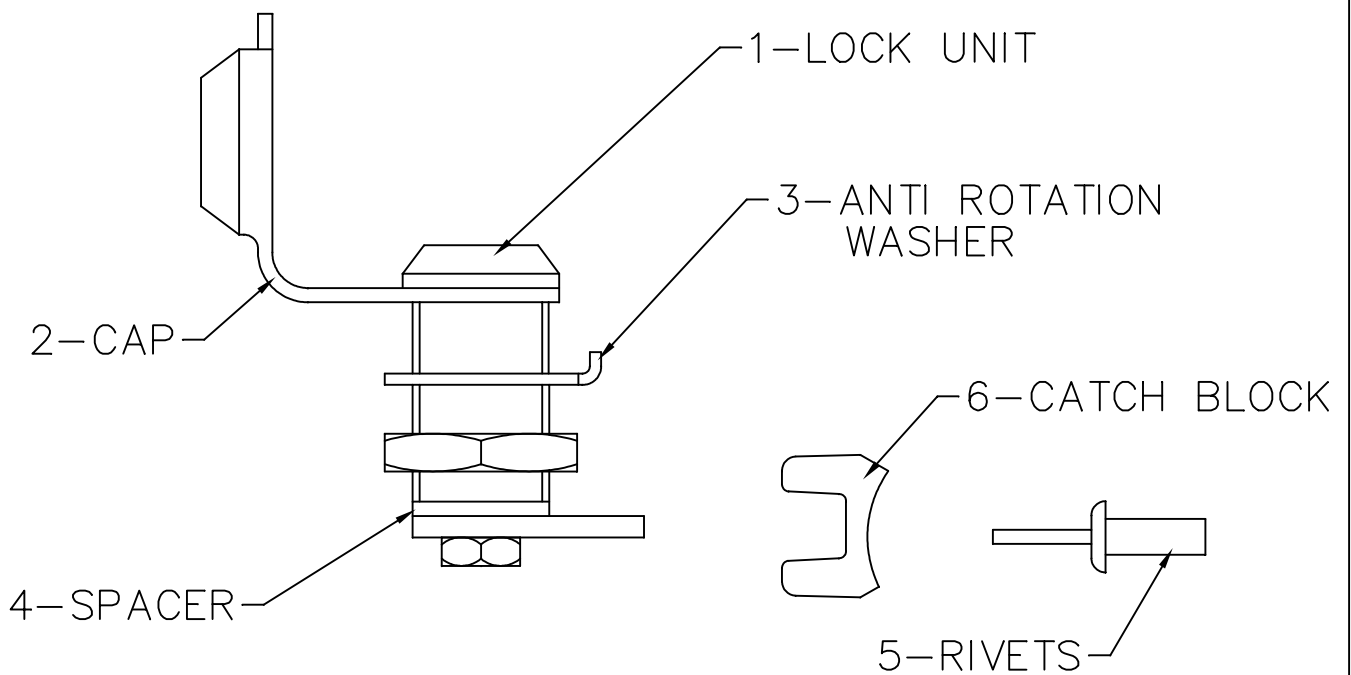


LEWMAR



LOCK KIT NO.	360259990
--------------	-----------

KIT DOES NOT FIT SIZE 6 HATCH

HATCH RETROFIT LOCK KIT

DECK HATCHES

ISSUE

1.3

DATE

03-JUL-00

LEWMAR®

HATCH RETRO FIT LOCK & KEY FITTING INSTRUCTIONS

NOTES

- This kit does not fit Size 6 Hatches [882 x 882mm (34³/₄ x 34³/₄") overall]
- These instructions are for square and rectangular hatches only.
- When drilling use water as a lubricant and control the drill speed to prevent the acrylic over heating.
- When making the 20mm (3/4") hole, drill or cut in from both sides, this will prevent the acrylic from chipping when the drill / hole saw breaks through.
- Fit the lock first, then confirm the position of the catch block which should be fitted second.

TOOLS REQUIRED

- 20mm (3/4") drill or hole saw
- 5mm (3/16") drill bit
- variable speed drill
- masking tape
- rivet gun
- 12mm and 24mm (or adjustable) spanner

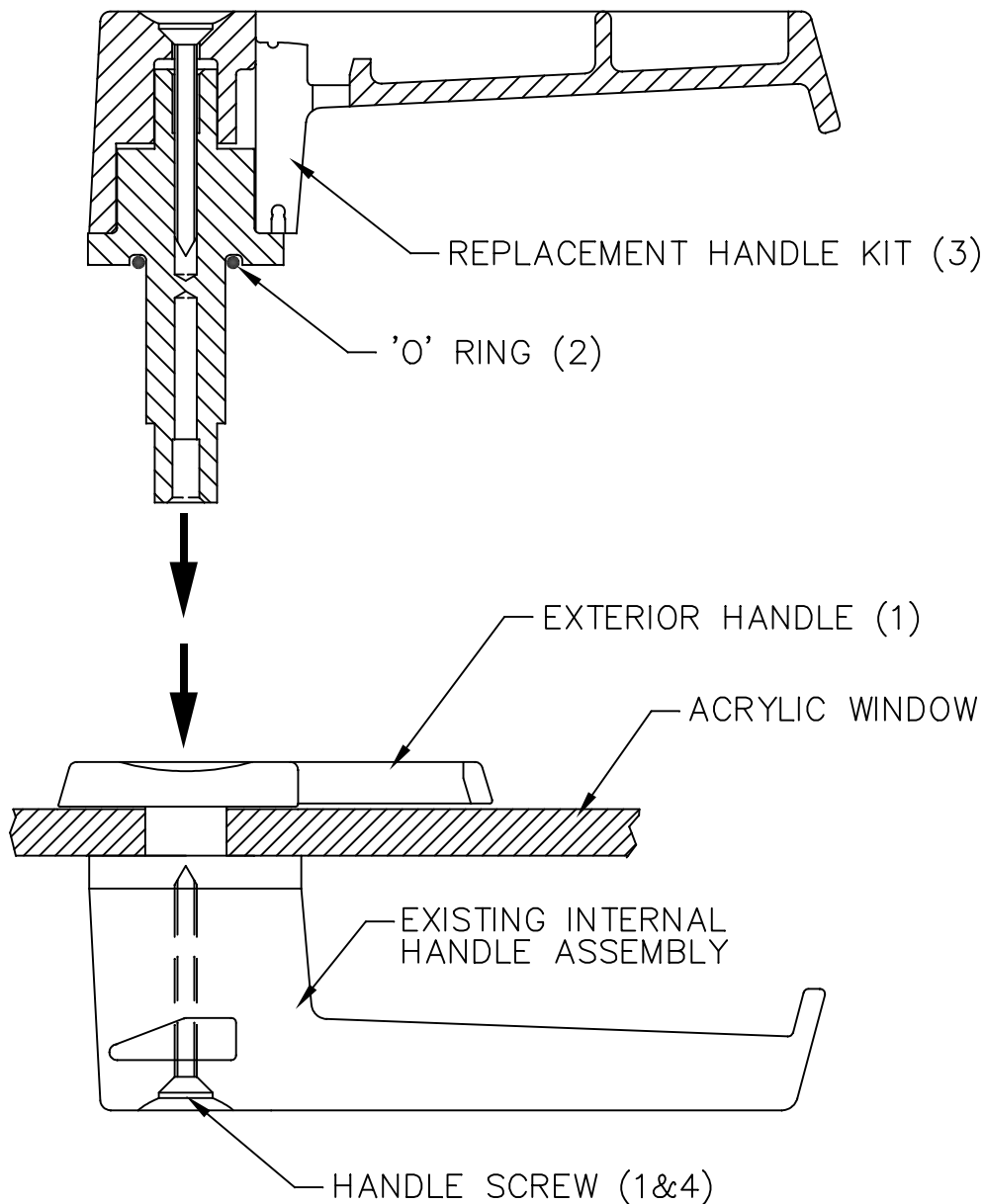
INSTRUCTIONS

1. Using the drawings over, confirm which type of hatch is to be modified.
2. On the outside of the hatch, apply masking tape in area where hole is to be drilled and mark the centre of the hole using the dimension given in the drawings over.
3. Leave the masking tape in place to stop the drill bit slipping and drill a pilot hole.
4. Using water as a lubricant and controlling the drill speed to prevent overheating, use the pilot hole as a guide to drill a 20mm (3/4") hole 1/2 way through the acrylic.
5. Complete drilling the hole from the other face of the acrylic to prevent chipping when the drill breaks through.
6. Apply masking tape to the inside of the hatch in the area where the 5mm (3/16") hole is to be drilled. Mark the centre of the hole using the dimension shown in the drawing below. The hole should be towards the edge of the hatch. Apply a small piece of masking tape 3mm (1/8") from the end of the 5mm (3/16") drill bit to mark the drilling depth required and drill the hole to this depth.
7. Fit the lock assembly as shown in the drawings below, note that some hatches will require the spacer. Ensure that the anti-rotation washer is correctly engaged before tightening the lock nut to avoid acrylic damage.
8. The kit is supplied with two types of Catch Blocks, one for Ocean and Coastline hatches and one for Low and Medium Profile hatches. Confirm which type of Catch Block is already fitted to the hatch for the handles. The lock will require the same catch block fitted the same way up.
9. Apply masking tape to the lower frame in the area where the Catch Block is to be fitted. Close the hatch and, with the handles engaged, establish the best position for the lock's Catch Block. Mark the hole centres on the masking tape.
10. Using the masking tape to prevent the drill from slipping, drill the holes for the catch block rivets using a 5mm (3/16") drill bit. Rivet the catch block in place.

For Drawings See Reverse (B5677-C)

FITTING INSTRUCTIONS FOR HANDLE KIT
SPARE No. 3607710999 (LH) & 3607700999 (RH)

B5966
ISSUE B



1. UNDO HANDLE SCREW AND REMOVE EXTERIOR HANDLE.
2. SMEAR A SMALL AMOUNT OF SILICONE GREASE ONTO EXPOSED SURFACE OF 'O' RING PRIOR TO FITMENT.
3. FIT REPLACEMENT HANDLE KIT ENSURING THAT THE SPINDLE ENGAGES CORRECTLY INTO EXISTING HANDLE.
4. RE-TIGHTEN THE SCREW AND SECURE USING THREADLOCK.

(NOT TO SCALE)