

# LEWMAR

## Trimport / Coastline Fitting & Adjustment Instructions

*(To be retained in owners manual for future reference)*

Trimport and Coastline hatches are for use on deck and coachroof of yachts in accordance with **ISO/DIS 12216.2(E), DESIGN CAT "A", AREAS II, III and IV**. Modification of the hatch by the fitting of vents etc. will invalidate the compliance with this standard.

### Fitting Instructions

Trimport and Coastline hatches should be fitted to a flat surface with a maximum tolerance of +/- 1mm and a deck / hull thickness of 15-61mm. Check that all fastening will be clear of deck moulding radii etc. Allow clearance for lid opening.

***Do not open and close the hatch more than necessary until the lower frame is securely mounted.***

Mark the deck with a pencil around the outside edge of the lower frame flange.

***It is essential that the lower frame is placed squarely on the deck opening.***

***When fitting a number of hatches it is advisable to prepare a template.***

Cut out deck along pencil line using a suitable saw.

Where the deck is of composite construction, it is recommended that the exposed laminate be sealed with the appropriate material prior to fitting the hatch. Openings cut in metal decks should have all burrs and sharp edges removed.

***Hatches should not be considered as stiffening members and it is recommended that the deck be adequately stiffened to prevent distortion during heavy weather.***

Re-check the frame on aperture and then apply bedding compound to the channel in lower frame. Bedding compound must have good adhesive qualities (eg. silicone sealant), be a suitable grade for marine sealing applications, of 3mm minimum thickness and compressible to allow the lower frame to be pulled down in contact with the deck by the securing screws.

Position lower frame over hole and drill two fixing screw holes in opposite corners. Insert appropriate stainless steel fasteners.(see below).

### Deck type

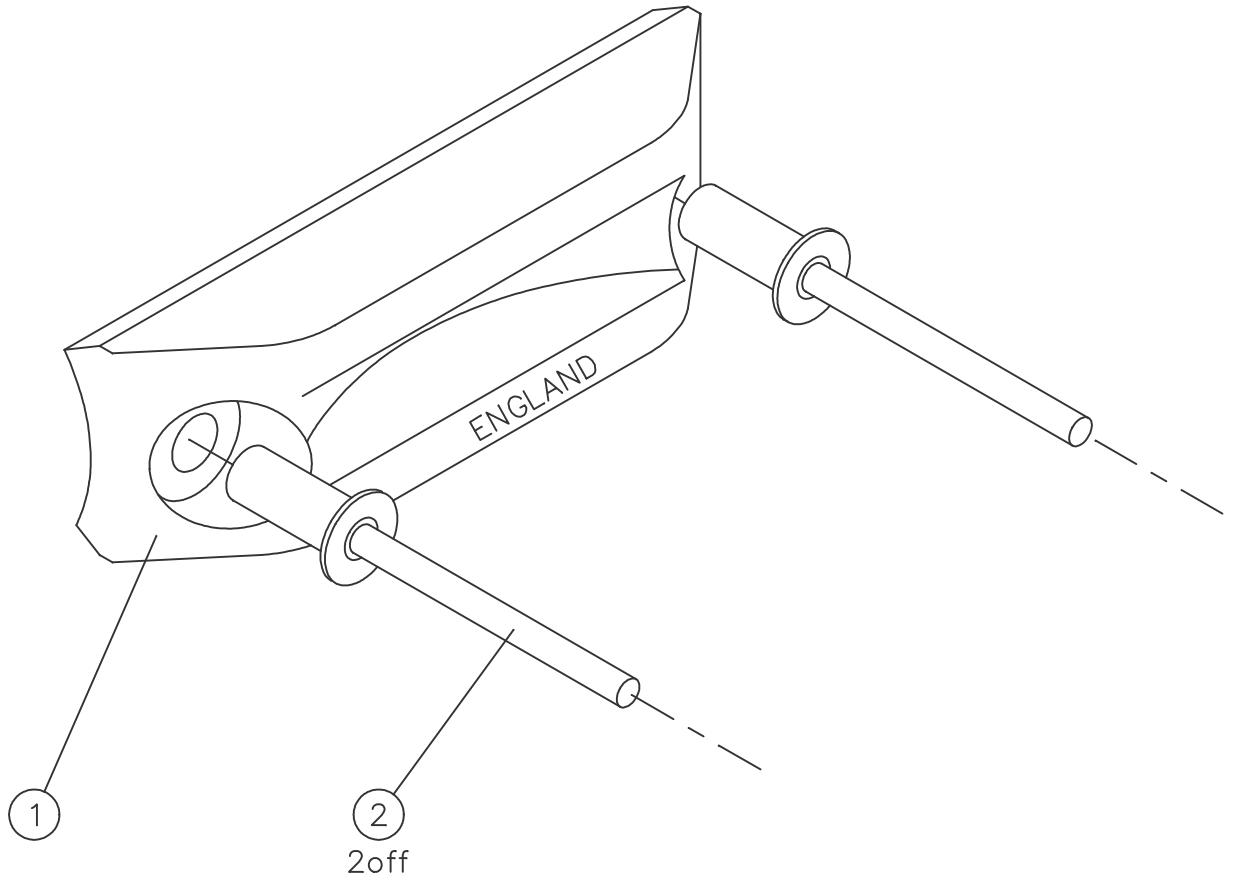
Wood	M5 through bolts or marine grade wood screws.
GRP/Steel/Al Alloy	M5 through bolts or machine screws into suitable tapped plates.
Fixing Sizes	M5, 10UNC, 2BA, 3/16", Wood screws (min. length 40mm).

Drill remainder of holes and fasten down from the centre working out to the edges. Clean off surplus sealant.

Once installed check for correct operation of the hatch lid, ie. closing/locking, even pressure of seal etc.

Please Turn Over

# LEWMAR



KIT No.
36006099Z

Z = 0 FOR STANDARD GREY AND 1 FOR BENETEAU GREY

## HATCH SPARE PARTS

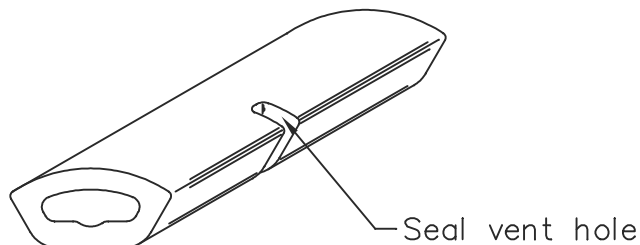
CATCH BLOCK

ISSUE 1.2

DATE 24-MAY-00

# LEWMAR

B5539-2



KIT No.	HATCH	HATCH OVERALL SIZE REF.
360580999	SIZE 00	281 x 281
360583999	SIZE 10	330 x 330
360604999	SIZE 18	ROUND DIA 490
360584999	SIZE 20	417 x 272
360603999	SIZE 22	ROUND DIA 588
360595999	SIZE 30	527 x 397
360595999	SIZE 31	397 x 527 (SIDE HINGE)
360596999	SIZE 35	585 x 455
360597999	SIZE 40	491 x 491
360593999	SIZE 44	512 x 512
360598999	SIZE 45	577 x 491
360599999	SIZE 50	577 x 447
360594999	SIZE 54	577 x 462
360600999	SIZE 60	577 x 577
360601999	SIZE 65	TRAPEZOIDAL 675x559x560
360602999	SIZE 70	697 x 697

## FITTING INSTRUCTIONS

Items required for seal replacement:

solvent based Contact adhesive for fixing seal into frame.

- 1 Remove the old seal by starting to lift the seal in one place and then pull it off all the way around. (a blunt scraper may help at this stage).
- 2 Remove any excessive adhesive remaining in the seal channel, taking care not to damage the frame.
- 3 Apply the contact adhesive sparingly all round the frame channel and firmly press the seal into the frame, ensuring that the seal vent hole is facing the inside of the hatch.
- 4 Check the seal is pushed fully into the frame channel all the way around.

## TRIMLINE & COASTLINE SPARE PARTS

SEAL KITS

ISSUE

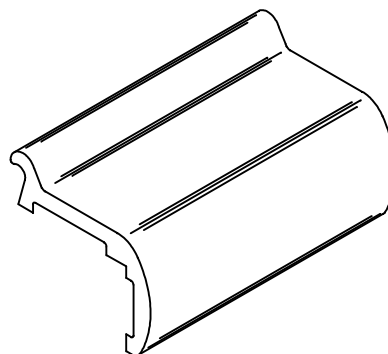
1.4

DATE

21.4.98

# LEWMAR

'Z' DIGIT	MOULDING COLOUR
0	STANDARD GREY
1	BENETEAU GREY



Y DIGIT	FRAME COLOUR
0	SILVER ANODISE
1	BLACK ANODISE
2	WHITE PAINT
8	SHINY SILVER

SOME HIGH VOLUME BUILDERS USE  
CUSTOM PAINT COLOURS NOT SHOWN HERE

LOWER FRAMES ARE SUPPLIED COMPLETE WITH CATCH  
BLOCKS (FOR HANDLES) AND LEVER PIVOTS FITTED.

KIT No.	HATCH	HATCH O-ALL SIZE
3601579YZ	18	ROUND DIA 490
3601589YZ	22	ROUND DIA 588
3601479YZ	30	527 x 397
3601489YZ	35	585 x 455
3601499YZ	40	491 x 491 (1 HANDLE)
3601719YZ	40	491 x 491 (2 HANDLE)
3601729YZ	44	512 x 512
3601509YZ	45	577 x 491
3601519YZ	50	577 x 447
3601739YZ	54	577 x 462
3601529YZ	60	577 x 577
3601539YZ	65	TRAPEZOIDAL 675x559x560
3601549YZ	70	697 x 697
3601559YZ	75	TRAPEZOIDAL 804x550x693

## COASTLINE SPARE PARTS

LOWER FRAMES

ISSUE

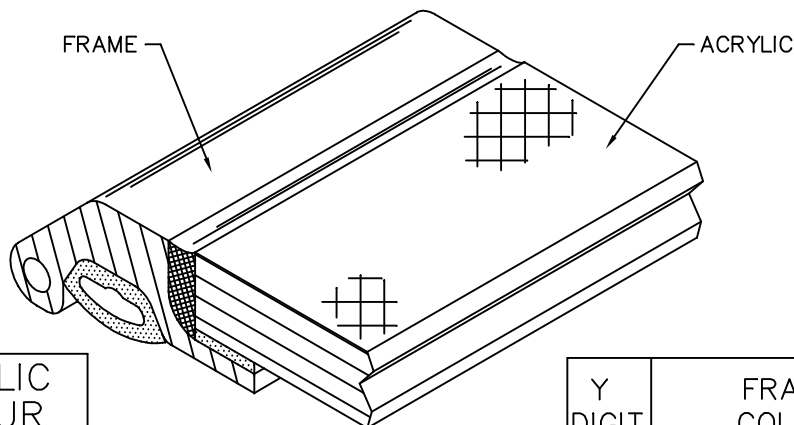
1.4

DATE

27-JUN-00

# LEWMAR

B5611-4



X DIGIT	ACRYLIC COLOUR
0	SMOKE GREY
1	BRONZE
2	CLEAR
3	WHITE
4	GREEN

Y DIGIT	FRAME COLOUR
0	SILVER ANODISE
1	BLACK ANODISE
2	WHITE PAINT
8	SHINY SILVER

SOME HIGH VOLUME BUILDERS USE  
CUSTOM PAINT COLOURS NOT SHOWN HERE

KIT No.	HATCH	HATCH O-ALL SIZE
360453XY9	18	ROUND DIA 490
360452XY9	22	ROUND DIA 588
360160XY9	30	527 x 397
360161XY9	35	585 x 455
360162XY9	40	491 x 491 (1 HANDLE)
360170XY9	40	491 x 491 (2 HANDLE)
360179XY9	44	512 x 512
360163XY9	45	577 x 491
360164XY9	50	577 x 447
360180XY9	54	577 x 462
360165XY9	60	577 x 577
360166XY9	65	TRAPEZOIDAL 675x559x560
360167XY9	70	697 x 697
360168XY9	75	TRAPEZOIDAL 804x550x693

## COASTLINE SPARE PARTS

UPPER FRAME

ISSUE

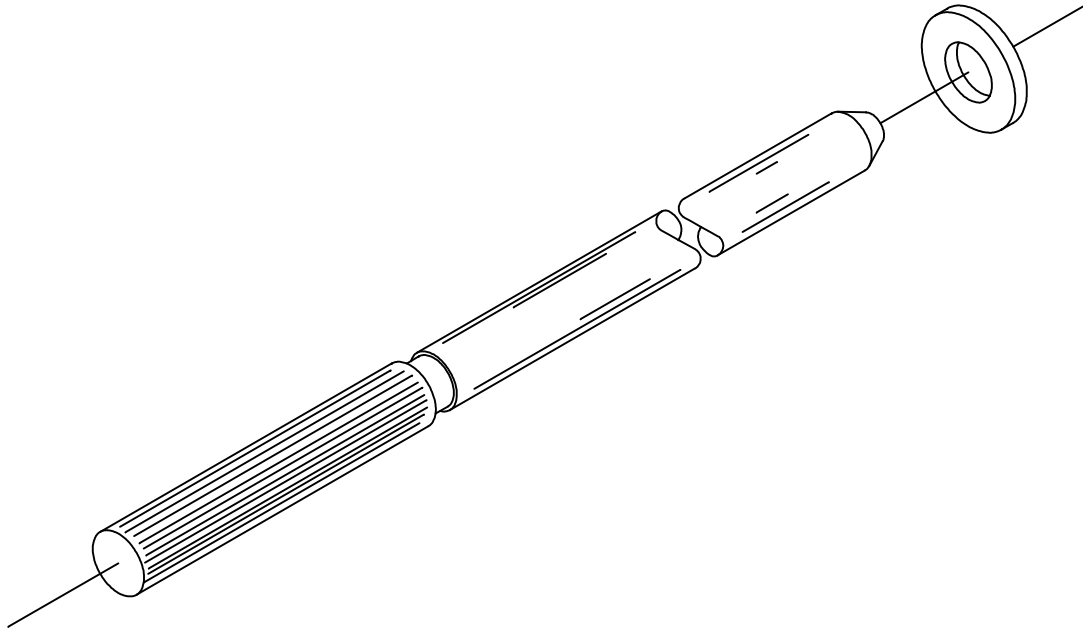
1.5

DATE

28-JUN-00

# LEWMAR

B5622-2



KIT No.	HATCH SIZE
360174999	30,35,40,45,50,60 & 65
360175999	70
360176999	75
360177999	18 & 22

## COASTLINE SPARE PARTS

HINGE PIN KITS

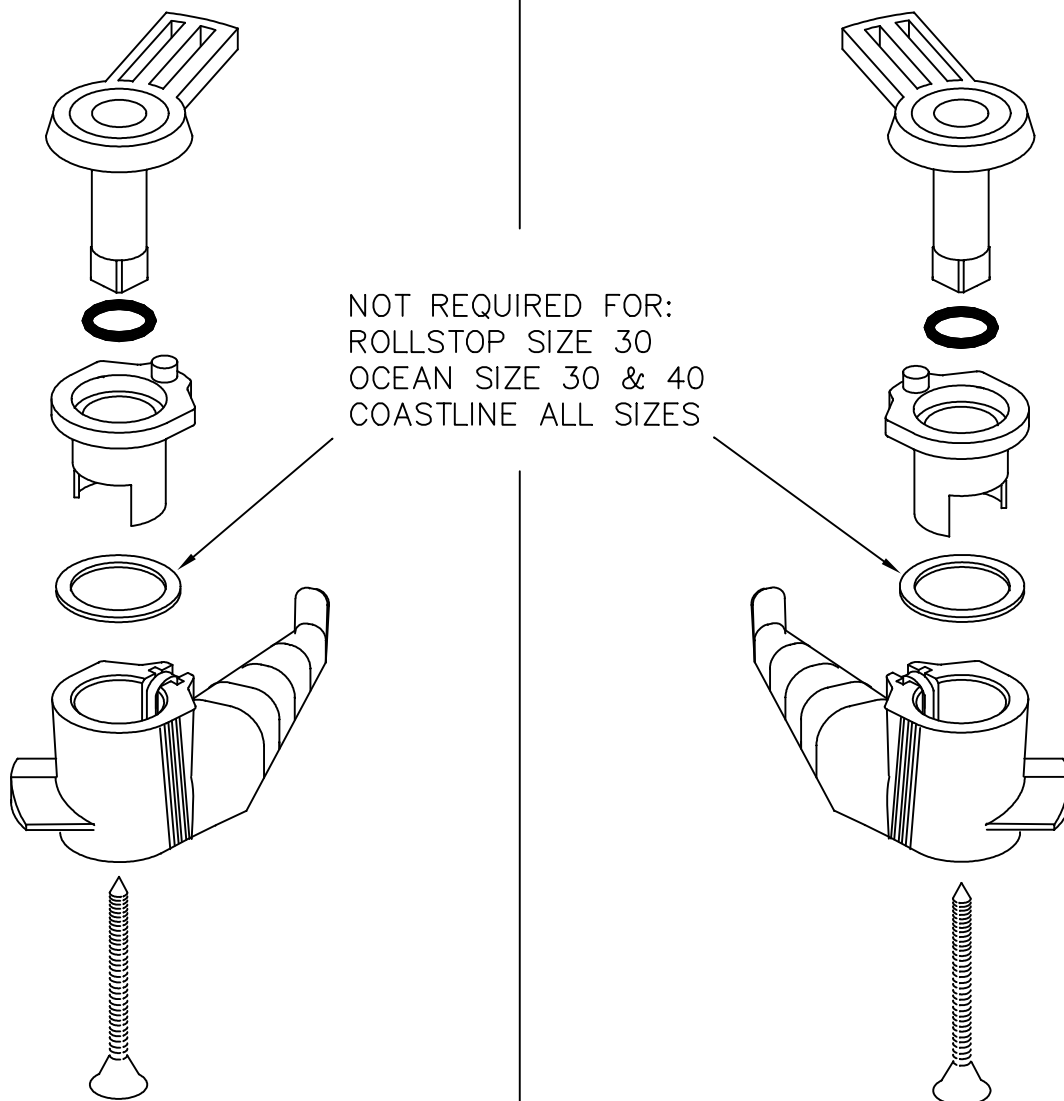
ISSUE

1.2

DATE

16.6.92

# LEWMAR



KIT No. 36024999Z L.H.

USED ON COASTLINE SZ 40 WITH  
 1 HANDLE

KIT No. 36025099Z R.H.

Z = 0 FOR STANDARD GREY AND 1 FOR BENETEAU GREY

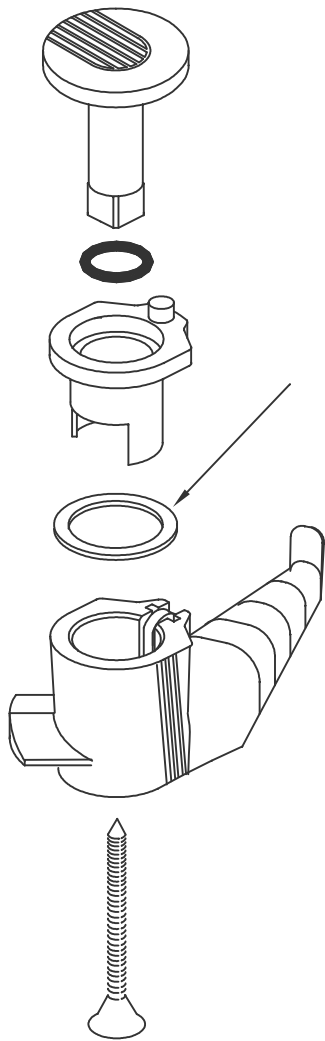
HATCH SPARE PARTS  
 USED ON ALL HATCHES SIZE 30 OR LARGER

LARGE HANDLE KIT

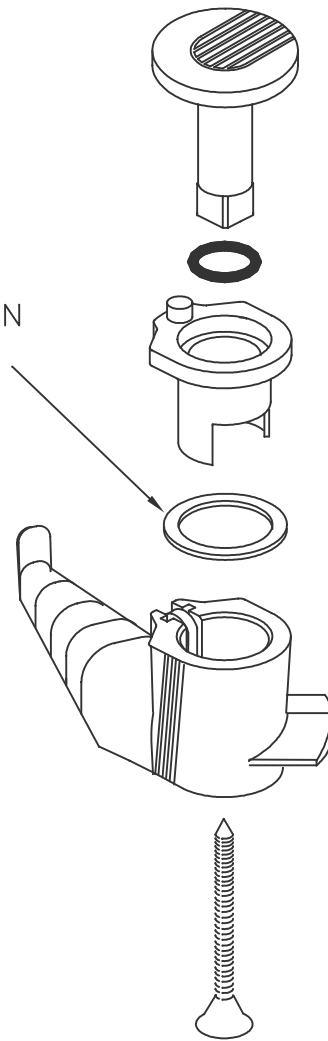
ISSUE 1.3

DATE 28-JUN-00

# LEWMAR



ONLY TO BE USED ON  
SIZE 10,30 & 40



KIT No.	36025399Z	L.H.
---------	-----------	------

KIT No.	36025499Z	R.H.
---------	-----------	------

Z = 0 FOR STANDARD GREY AND 1 FOR BENETEAU GREY

## TRIMLINE HATCH SPARE PARTS

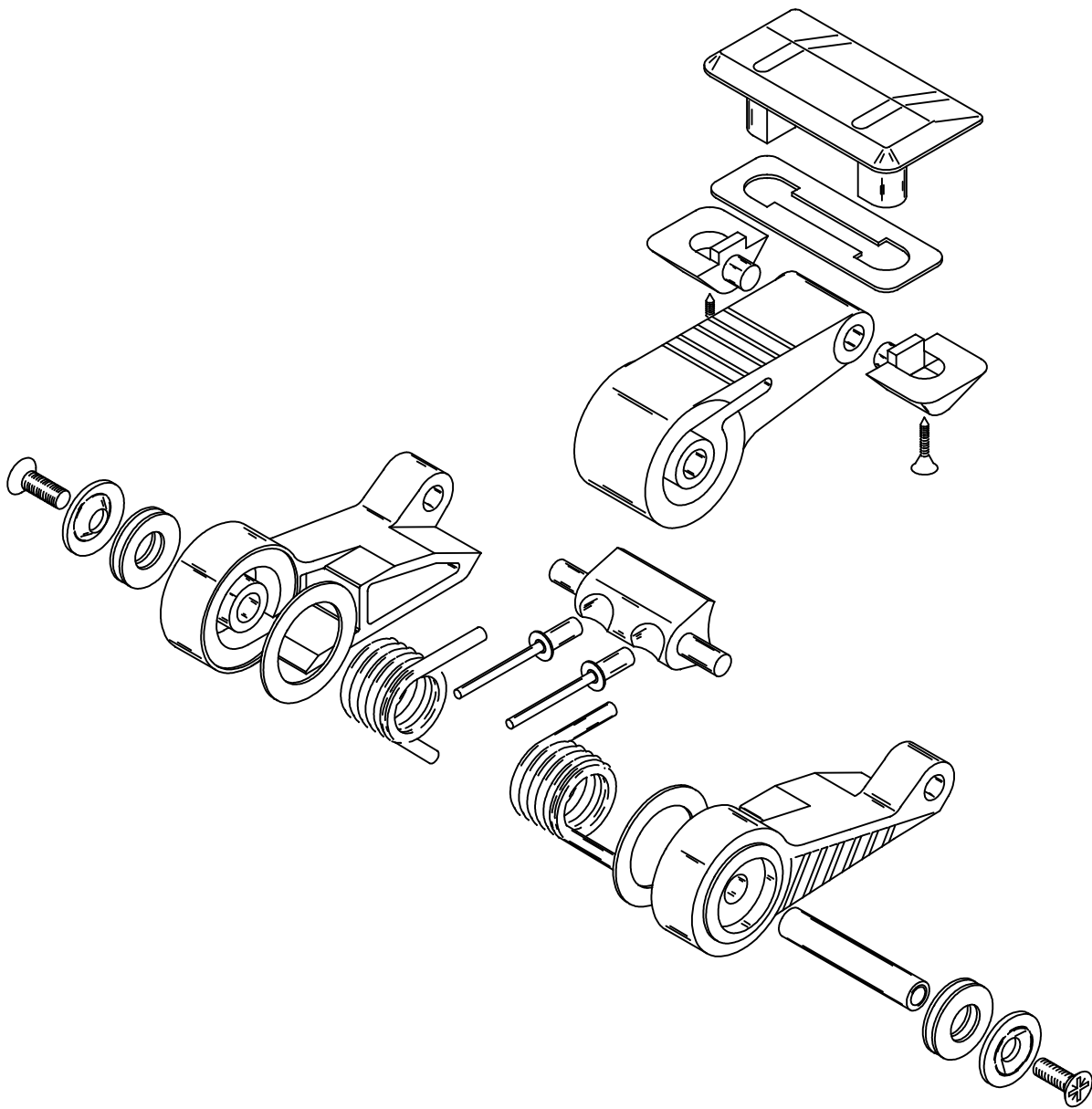
HANDLE KITS

ISSUE 1.2

DATE 18.7.92

# LEWMAR

B5676-1



KIT No.	USED ON
36027299Z	OCEAN 30-50, COASTLINE TO 65
36027399Z	OCEAN 50 UP, COASTLINE 65 UP

Z = 0 FOR STANDARD GREY AND 1 FOR BENETEAU GREY

## HATCH SPARE PARTS

LARGE FRICTION LEVER KITS

ISSUE 1.1

DATE 19.6.92