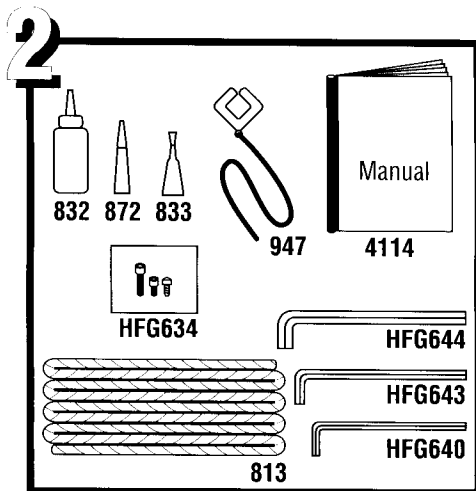


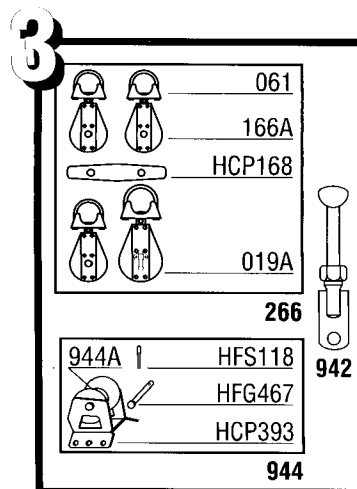
## 1 - Upper Assembly & Components

- 807 Extrusion - 7' Luff
- 809 Connector - 8.890" Bottom
- 810 Connector - 7"
- 812 Feeder
  - HFS192 Fastener - 10-32 x 3/8" 18-8 Stl Ov
- 865 Locking Collar - w/Insert
  - 865 Collar Locking Collar
  - HFG121 Plastic Insert
- 819 Connector Screw Set (30)
  - HFS197/79 Fastener - 9/32" x .156" Stl Fi #6
- 820 Wedge Set (17)
  - HFG216 Connector Wedge
- 870 Trim Cap 1
- 888 Extrusion - 2' Luff
- 889 Halyard Swivel
  - 4456 Label - 3/8" x 2 1/8"
  - 831 Shackle - 1/4" Bow
  - 877 Shackle - 1/4" Twist
  - HBB7 Ball Bearing - 3/8" Torlon (order 76)
  - HFG147 Snap Ring - Small
  - HFG383 Snap Ring - Large (order 2)
- 893 Torque Tube
  - 4753 Label - Small Red Oval
  - HFG726 Set Torque Tube Clamp Screws (2)
  - HFS333 Fastener - M6 x 1.0 x 30 316 Sk Cap
- HFG136 Extrusion Set (6 Long, 1 Short)
  - 807 Extrusion - 7' Luff
  - 888 Extrusion - 2' Luff
- HFG633 Fastener Set - Torque Tube (3)
  - HFS334 Fastener - M5 x .8 x 10mm A4 Sk Cap



## 2 - Accessories

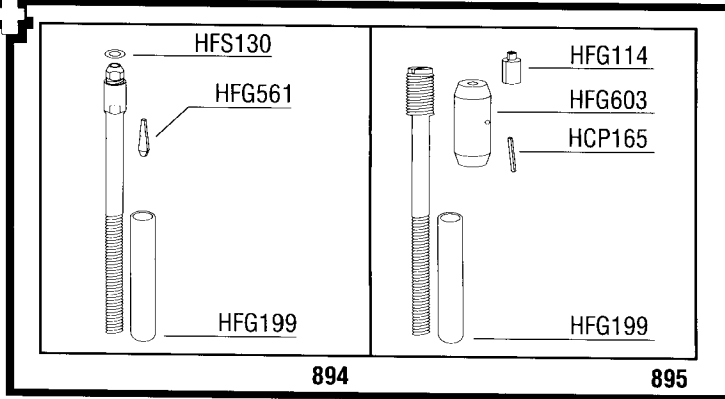
- 4113 Manual - Furling
- 813 Line - 5/16" x 60'
- 832 Loctite - 1 Red
- 833 Loctite - Blue
- 872 Super Glue
- 947 Prefeeder - Phenolic w/Line
- HFG634 Fastener Set - Spare
- HFG640 Wrench - M4 Allen Short
- HFG643 Wrench - M5 Allen Long
- HFG644 Wrench - M6 Allen Short



## 3 - Optional Parts

- 266 Kit - Small Lead Block
  - 019A Block - 2.25" Hex Stbd
  - 061 Stanchion Mount Base
  - 166A Block - Bullet Swivel
  - HCP168 Cleat - 4" Black
- 942 Isomat Adapter
- 944 Halyard Restrainer - Small
  - 944A Sheave & SS Inner Race Only
  - HCP393 Bracket - Small Halyard Restrainer
  - HFG467 Clevis Pin - 1/4" x 1.0625" 18-8
  - HFS118 Cotter Pin - 1/16" x .500" 18-8

## 4



### 4 - Studs & Components

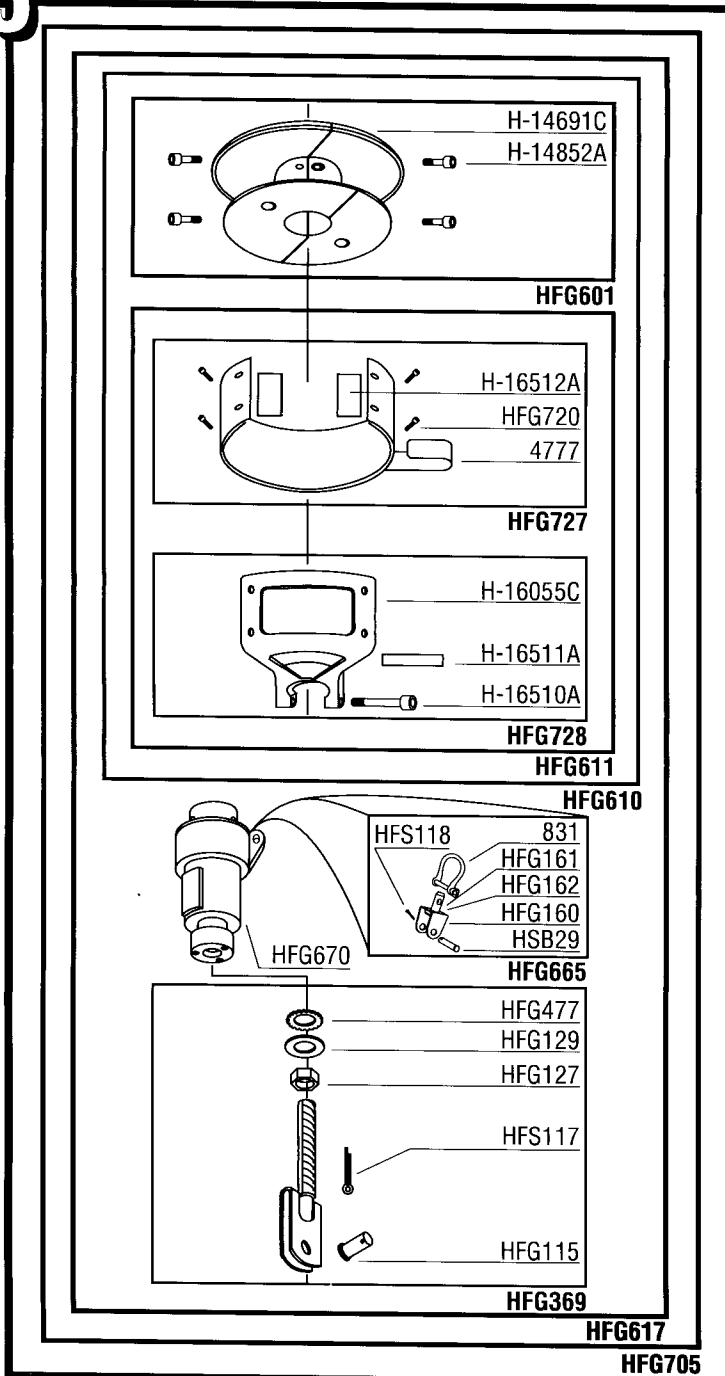
#### Sta-Lok Studs

- HFG199 Stud-Cap - 1/2" ID x 4" Red
- 894 Stud - 5/16" (8 mm) Sta-Lok
- HFG561 Wedge - 5/16" Sta-Lok
- HFS130 Washer - 3/8" .068 x .813 x .406 18-8

#### Rod

- HFG199 Stud-Cap - 1/2" ID x 4" Red
- 895 Stud -12 Rod Adpt w/Nosepiece
- HFG603 Stud - Main Body
- HFG114 Nosepiece -12
- HCP165 Roll Pin - 5/32" x 1.25"

## 5



### 5 - Drum Assembly & Components

#### HFG705

- Drum Assembly - Complete
- HFG610 Cowling - w/Guard & Spool
- HFG601 Spool Assembly - Complete
- H-14691C Spool Assembly Half
- H-14852A Fastener - M6 x 1.00-6G 316 (order 4)
- HFG611 Cowling - w/Guard
- HFG727 Cowling - w/Label & Shims
- 4777 Label - Cowling
- HFG720 Fastener Set - Guard
- H-16512A Mylar Cowling Shim (order 2)
- HFG728 Guard - w/Shims & Fastener
- H-16055C Line Guard
- H-16510A Fastener - M8 x 1.25 GC Screw
- H-16511A Mylar Guard Clamp Shim
- HFG617 Hub - w/Lower Toggle
- HFG369 Lower Toggle
- HFG129 Flat Washer - Lower Toggle
- HFG113 Cotter Pin
- HFG477 Lockwasher - Toggle
- HFG127 Lock Nut
- HFG115 Clevis Pin - Lower Toggle
- HFG670 Hub - w/o Lower Toggle
- HFG665 Swivel Bracket Assembly
- 831 Shackle - 1/4" Bow
- HFG160 Swivel Bracket
- HFG161 Swivel Pin - 13/32"
- HFG162 Plastic Washer
- HFS118 Pin - 1/16" x .500 18-8 Cotter
- HSB29 Clevis Pin - 1/4" x 1.000"