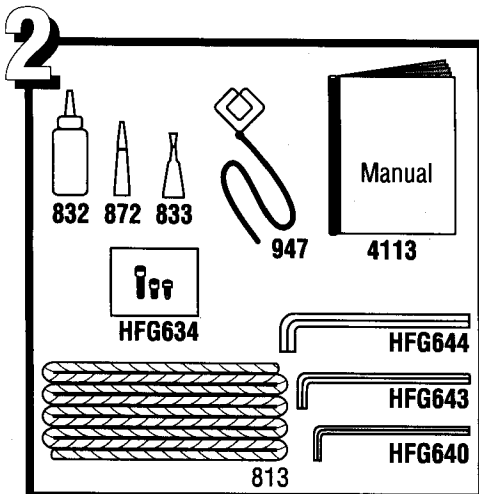


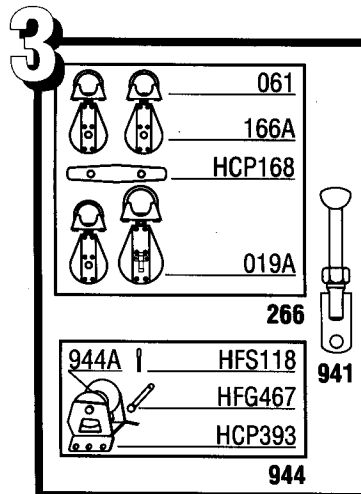
1 - Upper Assembly & Components

- 807 Extrusion - 7' Luff
- 809 Connector - 8.890" Bottom
- 810 Connector - 7"
- 812 Feeder
 - HFS192 Fastener - 10-32 x 3/8" 18-8 Stl Ov
- 814 Locking Collar - w/Insert
 - 814 Collar Locking Collar
 - HFG103 Plastic Insert
- 819 Connector Screw Set (30)
 - HFS192 Fastener - 3/32" x .156" Stl Fi #6
- 820 Wedge Set (17)
 - HFG216 Connector Wedge
- 870 Trim Cap
- 888 Extrusion - 2' Luff
- 889 Halyard Swivel
 - 4456 Label - 3/8" x 2 1/8"
 - 831 Shackle - 1/4" Bow
 - 877 Shackle - 1/4" Twist
 - HBB7 Ball Bearing - 3/8" Torlon (order 76)
 - HFG147 Snap Ring - Small
 - HFG383 Snap Ring - Large
- 890 Torque Tube
 - 4753 Label - Small Red Oval
 - HFG726 Set Torque Tube Clamp Screws (2)
 - HFS333 Fastener - M6 x 1.0 x 30 316 Sk Cap
- HFG136 Extrusion Set (6 Long, 2 Short)
 - 807 Extrusion - 7' Luff
 - 888 Extrusion - 2' Luff
- HFG633 Fastener Set - MKII Torque Tube (3)
 - HFS334 Fastener - M5 x .8 x 10mm A4 Sk Cap



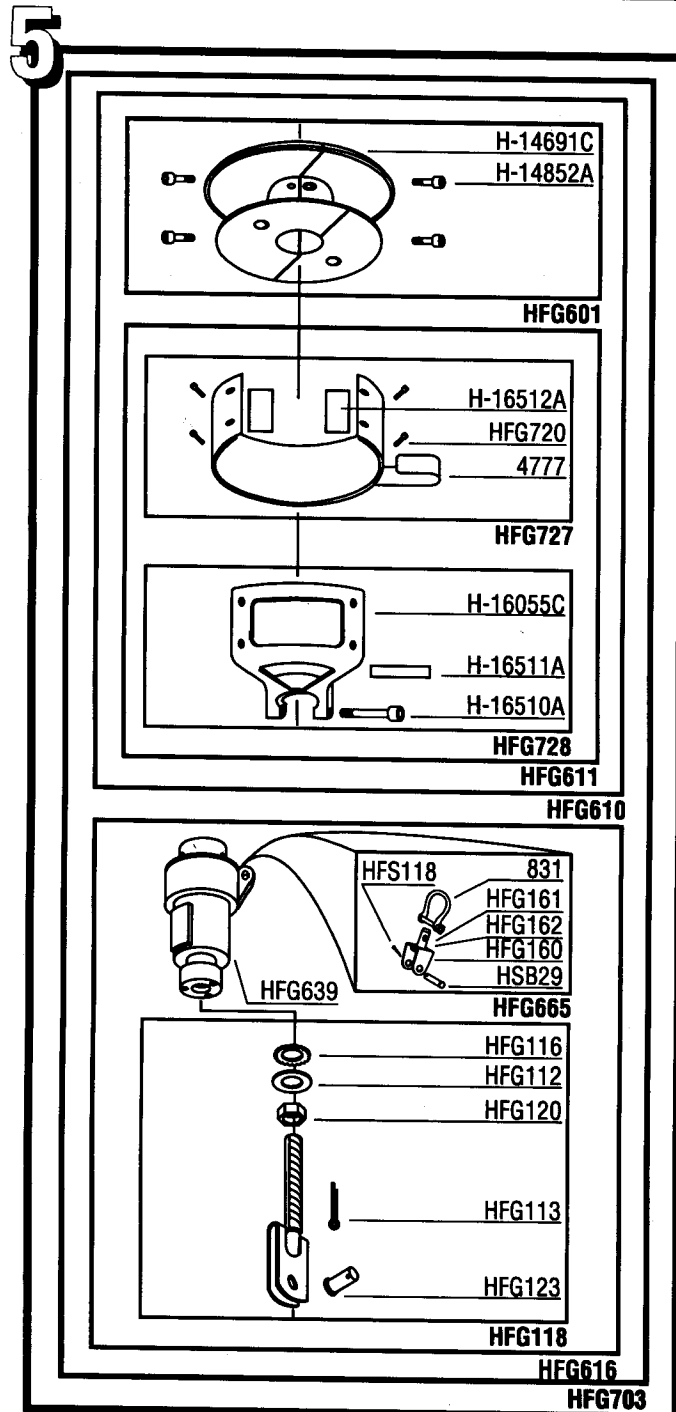
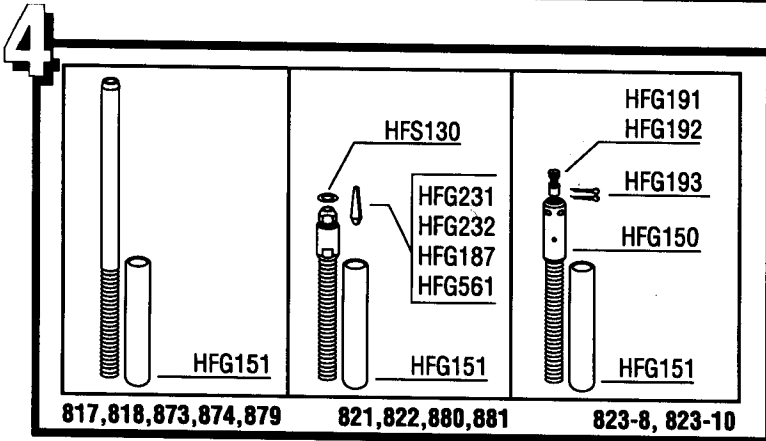
2 - Accessories

- 4113 Manual - Furling
- 813 Line - 5/16" x 68' 70'
- 832 Loctite - 1 Red
- 833 Loctite - Blue
- 872 Super Glue
- 947 Prefeeder - Phenolic w/Line
- HFG634 Fastener Set - Spare
- HFG640 Wrench - M4 Allen Short
- HFG643 Wrench - M5 Allen Long
- HFG644 Wrench - M6 Allen Short



3 - Optional Parts

- 266 Kit - Small Lead Block
 - 019A Block - 2.25" Hex Stbd
 - 061 Stanchion Mount Base
 - 166A Block - Bullet Swivel
 - HCP168 Cleat - 4" Black
- 941 Isomat Adapter
- 944 Halyard Restrainer - Small
 - 944A Sheave & SS Inner Race Only
 - HCP393 Bracket - Small Halyard Restrainer
 - HFG467 Clevis Pin - 1/4" x 1.0625" 18-8
 - HFS118 Cotter Pin - 1/16" x .500" 18-8



4 - Studs & Components

Swage Studs

- HFG 151 Stud-Cap - 1/2" ID x 4" Red
- 817 Stud - 1/4" Swage
- 818 Stud - 9/32" Swage
- 873 Stud - 6 mm Swage
- 874 Stud - 7 mm Swage
- 879 Stud - 8 mm Swage Unit 1

Sta-Lok Studs

- HFG151 Stud-Cap - 1/2" ID x 4" Red
- 821 Stud - 1/4" Sta-Lok
- HFG231 Wedge - 1/4" Sta-Lok
- HFS130 Washer - 3/8" .068 x .813 x .406 18-8
- 822 Stud - 9/32" (7 mm) Sta-Lok
- HFG232 Wedge - 9/32" (7 mm) Sta-Lok
- HFS130 Washer - 3/8" .068 x .813 x .406 18-8
- 880 Stud - 6 mm Sta-Lok
- HFG187 Wedge - 6 mm Sta-Lok
- HFS130 Washer - 3/8" .068 x .813 x .406 18-8
- 881 Stud - 8 mm Sta-Lok Unit 1
- HFG561 Wedge 5/16" (8 mm) Sta-Lok
- HFS130 Washer - 3/8" .068 x .813 x .406 18-8

Rod

- HFG151 Stud-Cap - 1/2" ID x 4" Red
- 823 -8 Stud - 8 Rod Adpt w/Nosepiece
- HFG150 Stud - Main Body
- HFG191 Nosepiece -8
- HFS193 Cotter Pin - 3/32" x 1" 18-8
- 823 -10 Stud - 10 Rod Adpt w/Nosepiece
- HFG150 Stud - Main Body
- HFG192 Nosepiece -10
- HFG193 Cotter Pin - 3/32" x 1" 18-8

5 - Drum Assembly & Components

HFG703

- HFG610 Drum Assembly - Complete
- HFG610 Cowling - w/Guard & Spool
- H-14691C Spool Assembly - Complete
- H-14852A Spool Assembly Half
- HFG611 Fastener - M6 x 1.00-6G 316 (order 4)
- HFG727 Cowling - w/Guard
- 4777 Label - Cowling
- HFG720 Fastener Set - Guard
- H-16512A Mylar Cowling Shim (order 2)
- HFG728 Guard - w/Shims & Fastener
- H-16055C Line Guard
- H-16510A Fastener - M8 x 1.25 GC Screw
- H-16511A Mylar Guard Clamp Shim
- HFG616 Hub - w/Lower Toggle
- HFG118 Lower Toggle
- HFG112 Flat Washer - Lower Toggle
- HFG113 Cotter Pin
- HFG116 Lockwasher - Toggle
- HFG120 Lock Nut
- HFG123 Clevis Pin - Lower Toggle
- HFG639 Hub - w/o Lower Toggle
- HFG665 Swivel Bracket Assembly
- 831 Shackle - 1/4" Bow
- HFG160 Swivel Bracket
- HFG161 Swivel Pin - 19/32"
- HFG162 Plastic Washer
- HFS118 Pin - 1/16" x .500 18-8 Cotter
- HSB29 Clevis Pin - 1/4" x 1.000"