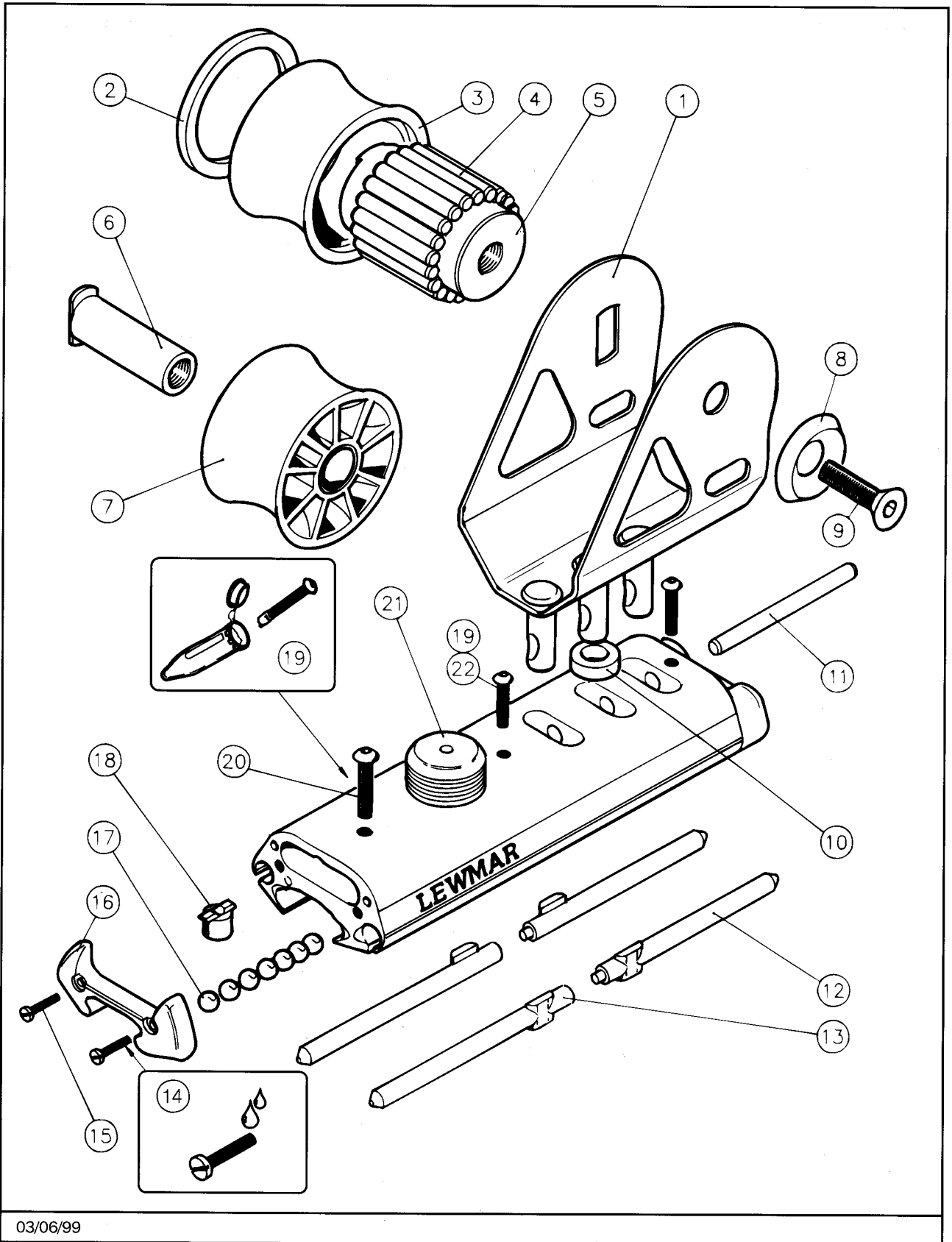


SIZE 2 & 3 GENOA CARS WITH STAINLESS STEEL STIRRUP



03/06/99

LEWMAR®

SIZE 2 & 3 GENOA CARS WITH STAINLESS STEEL STIRRUP

Item	Description	Part Number	Assembly Number
1	Stainless Steel Stirrup		28002231
2	High Spec. Thrust Washer	25000198	29173027
3	High Spec. Genoa Sheave	25000195	
4	Torlon Rollers x 18	25000197	
5	High Spec. Genoa Spindle	25000325	
6	Genoa Spindle	25000329	
7	Genoa Sheave	25000105	
8	Cone Washer	25000350	
9	Genoa Bolt	25000264	
10	Rubber Collar	15230310	
11	Shackle Pin	25000347	
12	Male Slide Rod (H.L. Cars Only)	25000425	
13	Female Slide Rod (H.L. Cars Only)	25000426	
14	Use Loctite Nutloc 242E		
15	End Cap Screw - See Standard Cars		
16	End Cap - See Standard Cars		
17	Torlon Ball - See Standard Cars		
18	Sheave Bearing (For Dead Eye)	25000103	
19	Grease Vial	28000810	
20	Screw M8 x 23	25000584	
21	Plunger Assembly (Requires Riveting)		29173050
22	Screw M6 x 23	B4204	
	Lewmar Label	25000025	

NOTE: For alloy end caps - see standard cars.